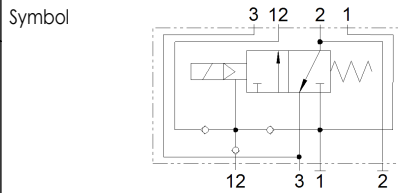


3/2-way solenoid valve

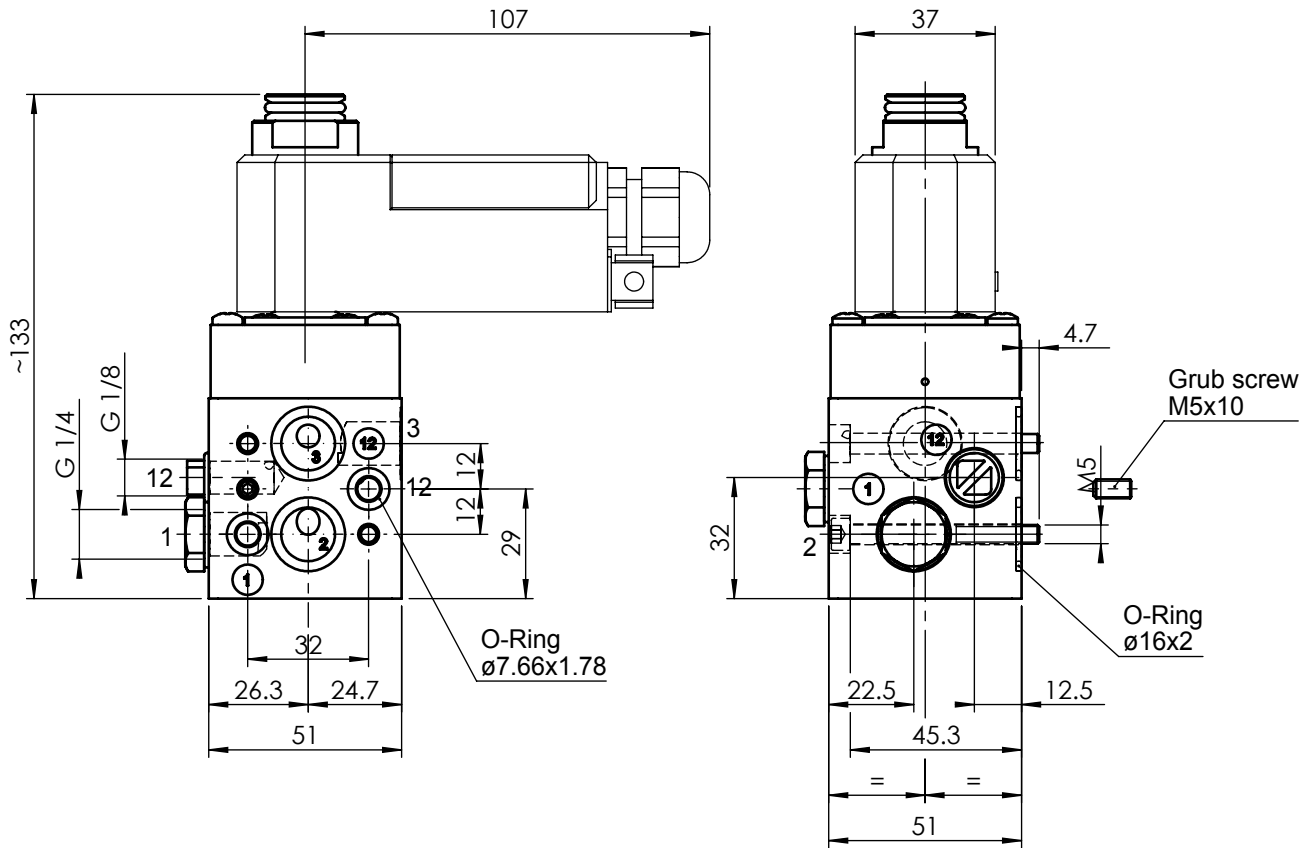
Pilot operated with optional pilot source
(internal or external)

Group **CP06**

Remarks
- incl. mounting set
- solenoid 360° turnable
- with NAMUR interface



Type CP 0632 CPU oH		
ND 6	Solenoid size 11	Manual control 1.8 W none
Function NC	Drawn solenoid 52, 53	Weight without solenoid 0.55 kg



DN [mm]	Kv-value [m3/h]		Main pressure [bar] Port 1	Pilot pressure [bar] Port 12	Rem.
	Inlet	Exhaust			
6	0.5	0.65	1 ... 8	-	1)
			0 ... 8	min. 2	2)

Connection
1 = Inlet
2 = Consumer
3 = Exhaust
12 = Inlet of control fluid

1) For open / close valves
2) For control valves

Layout

3D ID: 145.384.00

Selection sheet		4-126.061.00		Release	04		Drawn	13.06.2002	scr - Schnetzer	
Drawing class				Modification-No.	5053		Proved	12.08.2002	sr - Seitz	
Scale	1:2			Modified	17.09.2007	hep - Hediger		Size	Drawing-/Part-No.	
Sheet	1	of	1	Administration	12.08.2002	fir - Fischer		4	125.765.02	
								Language		en

Subject to dimensional or design modification

Copyright on this drawing remains in our company

o4sm-ventill-imb-en