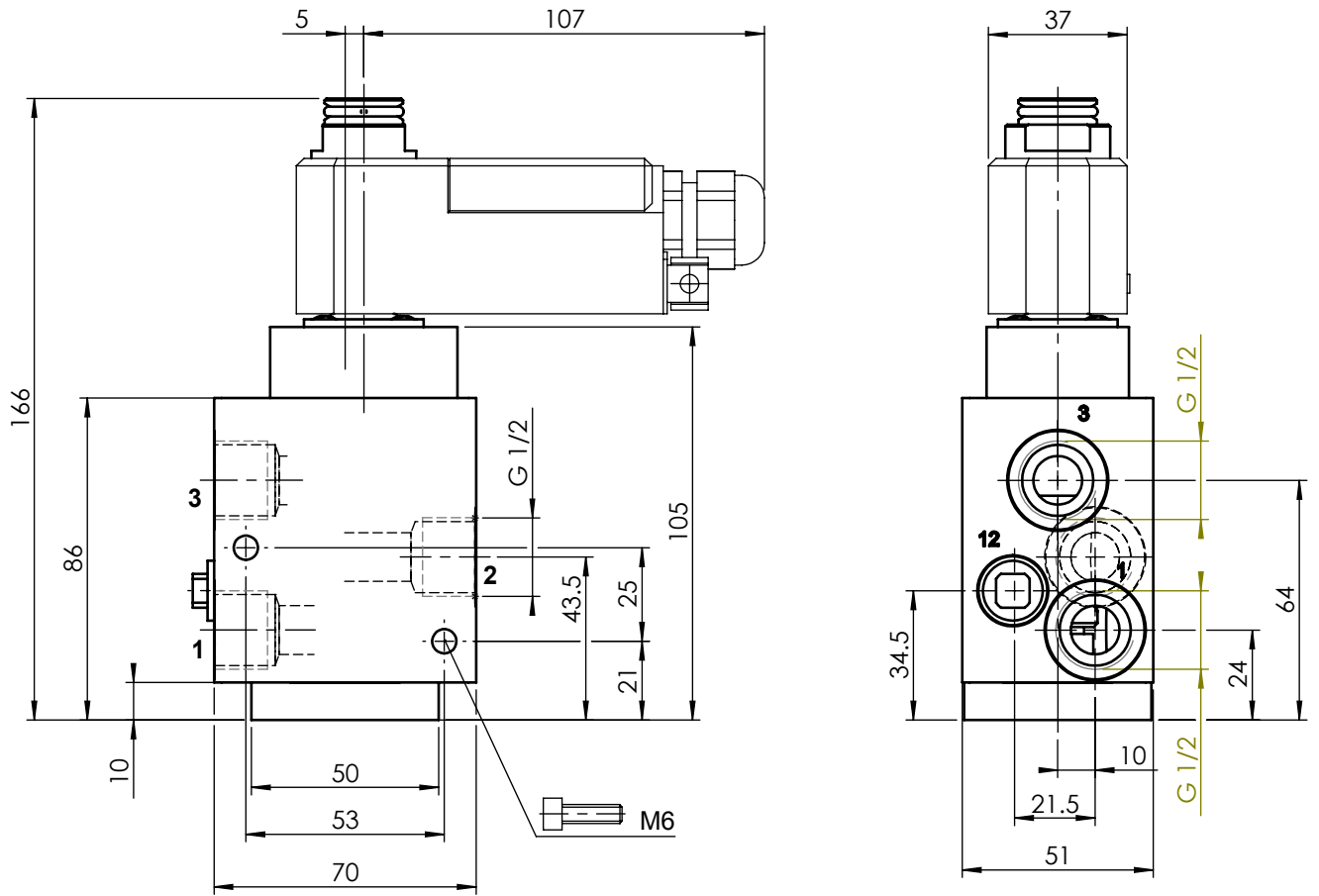


# 3/2-way solenoid valve

pilot operated with internal  
or external control air supply

Group	CP 12	Symbol		Type	<b>CP 1232 CGK oH</b>		
Remarks	- solenoid can be rotated though 360°			Orifice	Solenoid size	Manual control	
				12	11 1.8W	none	
				Function	Drawn solenoid	Weight without solenoid	
				NC	52, 53	0.88kg	



ND [mm]		Kv-value [m3/h]		main pressure [bar] Port 1	pilot pressure [bar] Port 12	Remark
Inlet	Exhaust	Inlet	Exhaust			
12	12	2.4	3.3	2 ... 8	-	1)
				0 ... 8	min. 2	2)

**Ports:**

- 1 = Inlet
- 2 = Consumer
- 3 = Exhaust
- 12 = Inlet of control fluid

- 1) For open / close valves
- 2) For control valves

## Layout

3D ID: 162.798.00

Selection sheet	4-125.879.00		Release	04		Drawn	11.05.2004	prm - Presente
Drawing class			Modification-No.	OHNE		Proved	11.05.2004	ror - Rölli
Scale	1:2		Modified	28.06.2005	hep - Hediger	Size	Drawing-/Part-No.	
Sheet	1	from 1	Administration	11.05.2004	fir - Fischer	<b>4 126.096.02</b>		Language en

Subject to dimensional or design modification

Copyright on this drawing remains in our company

o4sm-ventil-mb-en