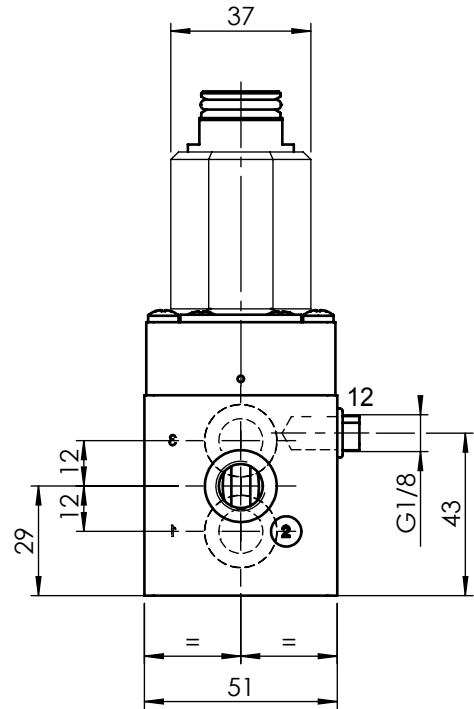
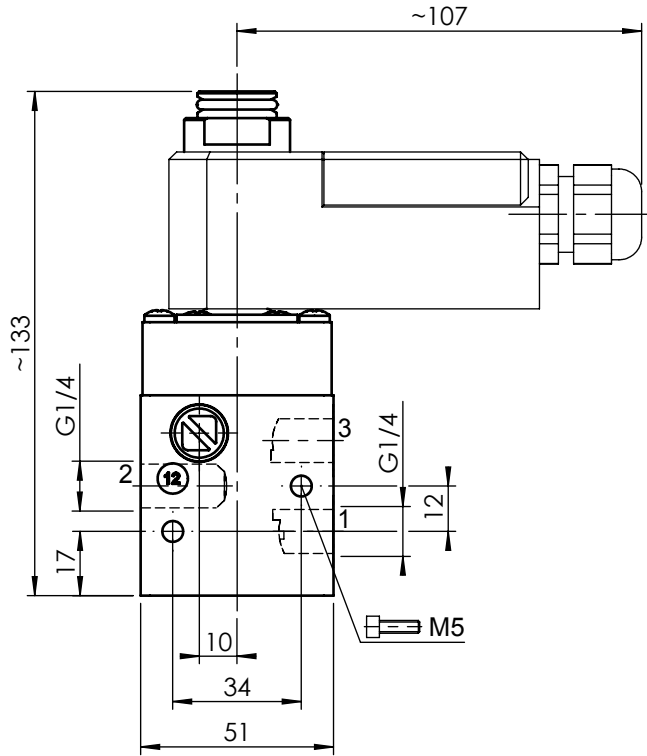


# 3/2-way solenoid valve

Pilot operated with internal  
or external control air supply

Group	CP06	Symbol			
Remarks	- Solenoid 360° turnable		Type	CP 0632 CGK oH i	
			ND	Solenoid size	Manual control
			6	11 200 mW	none
			Function	Drawn solenoid	Weight without solenoid
			NC	11G52	0.55 kg

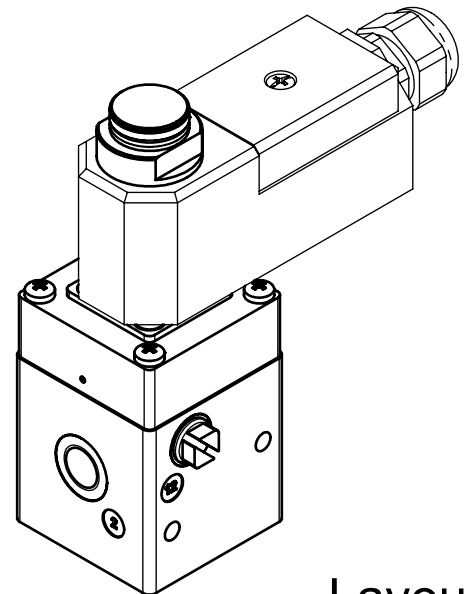


### Connection

- 1 = Inlet
- 2 = Consumer
- 3 = Exhaust
- 12 = Inlet of control fluid

ND [mm]	Kv-value [m3/h]		Main pressure [bar] Port 1	Pilot pressure [bar] Port 12	Remark
	Inlet	Exhaust			
6	0.72	1.4	2 ... 8	-	1)
			0 ... 8	min. 2	2)

- 1) For open / close valves
- 2) For control valves



## Layout

3D ID: 145.555.00

Selection sheet		4-126.057.00		Release	01	Drawn	29.11.2002	ksb - Kuster Sold	
Drawing class				Modification-No.	5053	Proved	04.12.2002	ror - Rölli	
Scale	1:2			Modified	25.09.2007	Size		Drawing-/Part-No.	
Sheet	1	of	1	Administration	04.12.1998	4		150.771.02	
						Language		en	

Subject to dimensional or design modification

Copyright on this drawing remains in our company

o4sm-ventil-mb-en