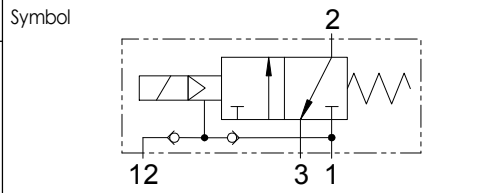


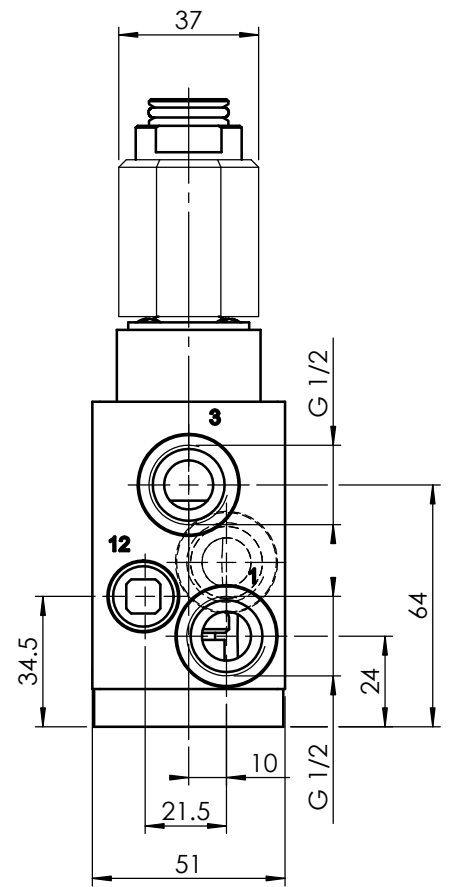
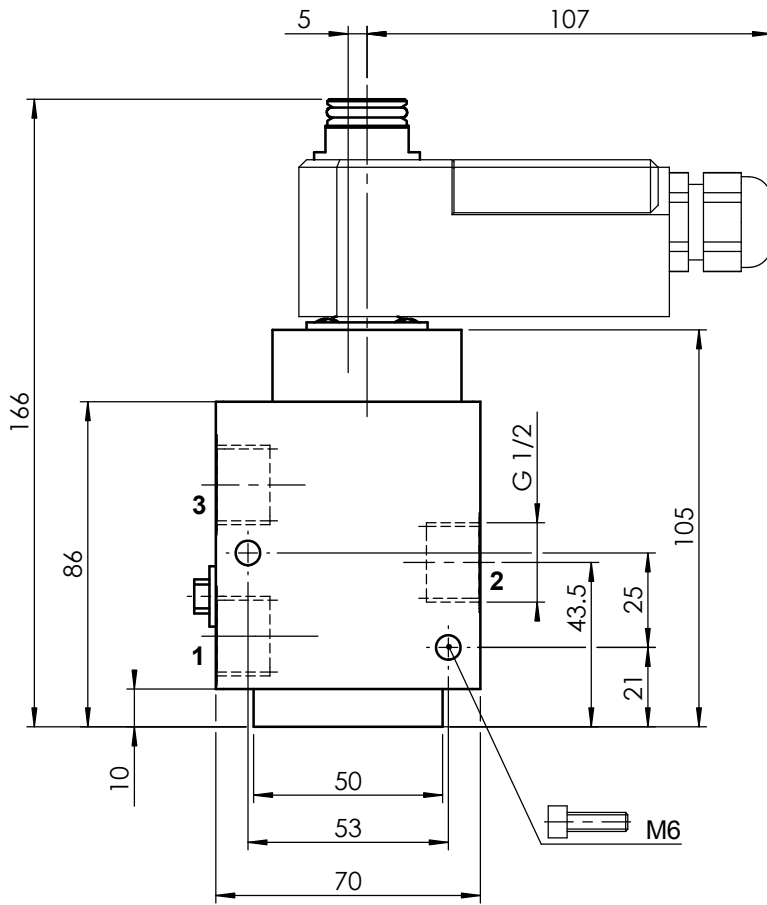
# 3/2-way solenoid valve

pilot operated with internal  
or external control air supply

Group CP 12  
Remarks  
- solenoid can be rotated though 360°



Type			<b>CP 1232 CGK oH i</b>		
Orifice	Solenoid size	Manual control			
12	11 200mW	none			
Function	Drawn solenoid	Weight without solenoid			
NC	52	0.88kg			



ND [mm]		Kv-value [m3/h]		main pressure [bar] Port 1	pilot pressure [bar] Port 12	Remark
Inlet	Exhaust	Inlet	Exhaust			
12	12	2.4	3.3	2 ... 8	-	1)
				0 ... 8	min. 2	2)

Ports:  
1 = Inlet  
2 = Consumer  
3 = Exhaust  
12 = Inlet of control fluid

1) For open / close valves  
2) For control valves

## Layout

3D ID: 162.821.00

Selection sheet		4-125.879.00		Release		02		Drawn	11.05.2004	prm - Presente	
Drawing class				Modification-No.		OHNE		Proved	11.05.2004	ror - Rölli	
Scale	1:2			Modified	28.06.2005	hep - Hediger		Size	Drawing-/Part-No.		Language
Sheet	1	from	1	Administration	11.05.2004	fir - Fischer		<b>4 162.822.02</b>		en	

Subject to dimensional or design modification

Copyright on this drawing remains in our company

o4sm-ventil-mb-en