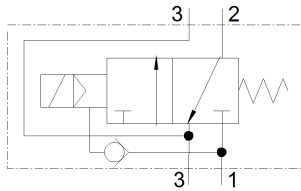


3/2-way solenoid valve

pilot operated with internal control air supply

Group CP 12

Symbol



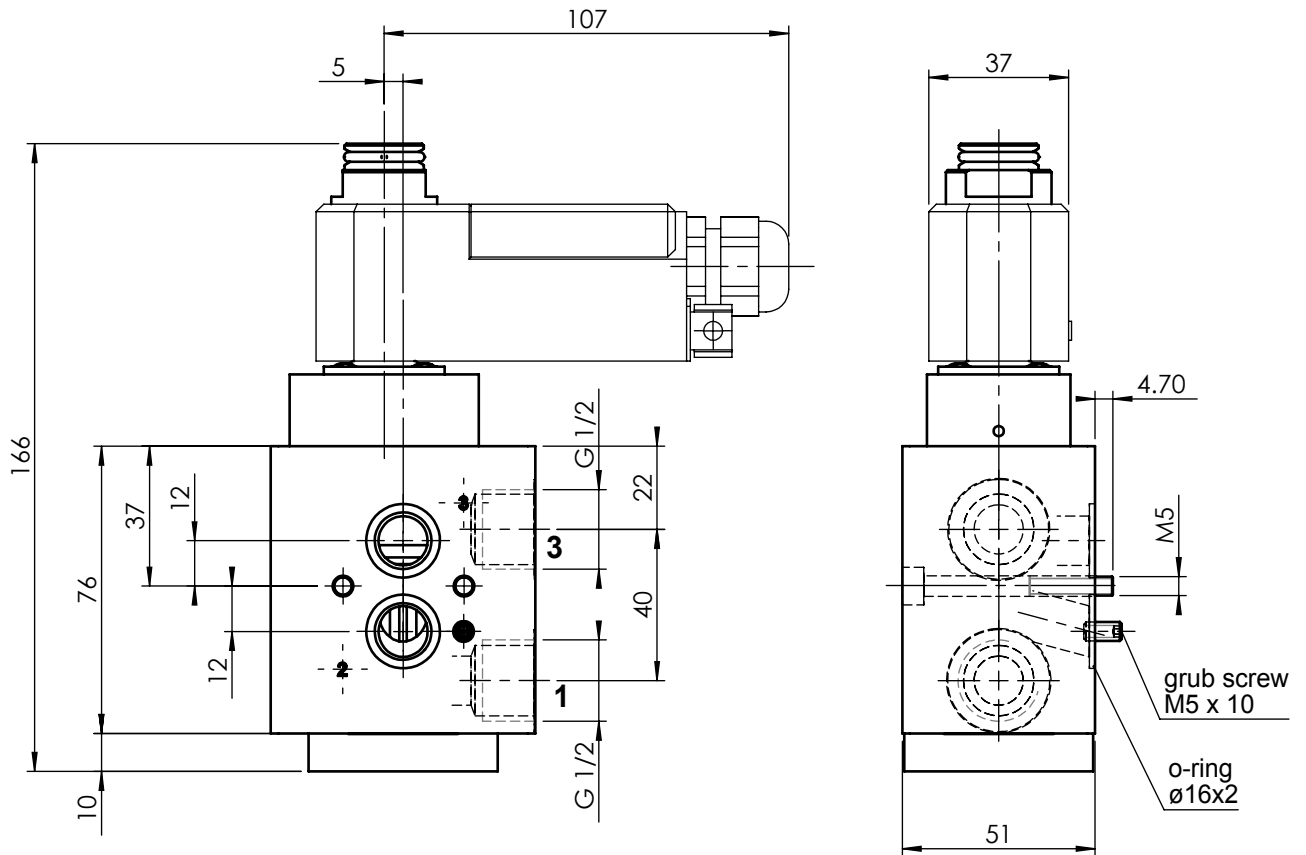
Remarks

- with NAMUR interface
- incl. mounting set
- solenoid can be rotated though 360°

Type

CP 1232 CNE oH

Orifice 12	Solenoid size 11 1.8W	Manual control none
Function NC	Drawn solenoid 52, 53	Weight without solenoid 0.88 kg



ND [mm]		Kv-value [m3/h]		pressure gas [bar]
Inlet	Exhaust	Inlet	Exhaust	
12	12	2.4	3.3	2 ... 8

Ports:

- 1 = Inlet G 1/2
- 2 = Consumer NAMUR
- 3 = Spring chamber ventilation for quarter-turn actuators with spring return
- 3 = Outlet G 1/2

Layout

3D ID: 162.589.00

Selection sheet		4-126.427.00		Release	02	Drawn	06.05.2004	prm - Presente
Drawing class				Modification-No.	4764	Proved	06.05.2004	ror - Rölli
Scale	1:2			Modified	17.02.2006	Size	Drawing-/Part-No.	
Sheet	1	from	1	Administration	06.05.2004	Language	en	
						4	126.428.02	

Subject to dimensional or design modification

Copyright on this drawing remains in our company

o4sm-ventill-imb-en