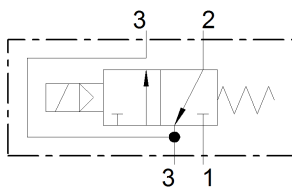


3/2-way solenoid valve

Pilot operated with own fluid

Group CP 06

Symbol



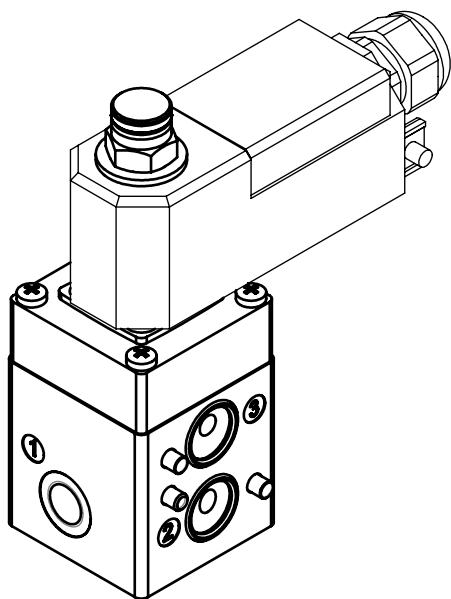
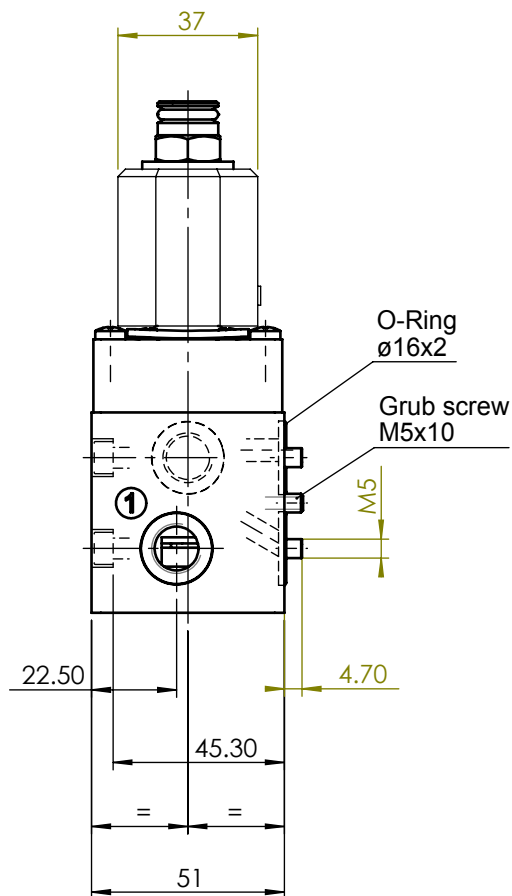
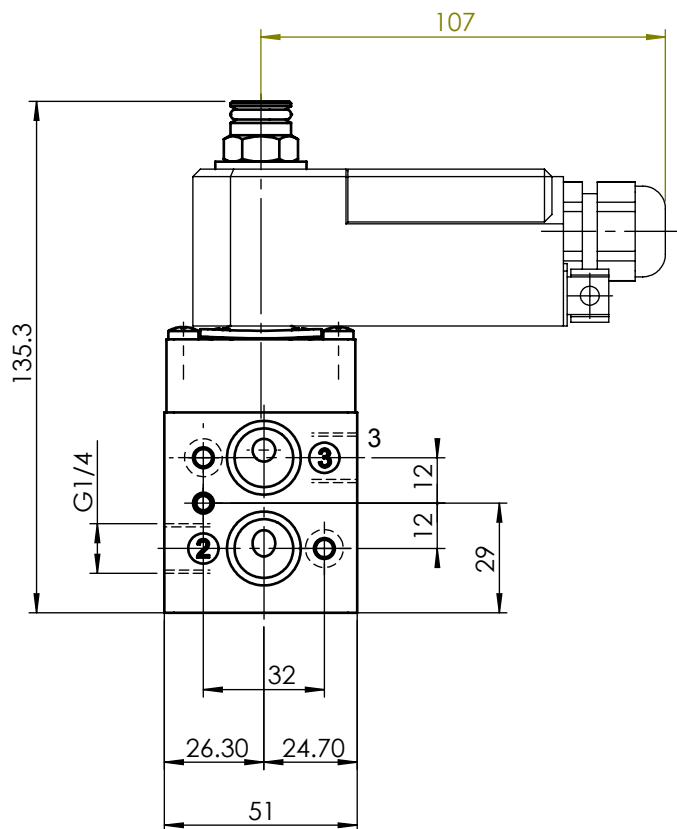
Remarks

- with NAMUR-interface
- incl. mounting-set
- Solenoid can be rotated though 360°

Type

CP 0632 CNX oH

Orifice 6	Solenoid size 11	1.8W	Manual control none
Function NC	Drawn solenoid 52, 53		Weight without solenoid 0.55 kg



Connection:

- 1 = Inlet
- 2 = Consumer
- 3 = Outlet

ND [mm]	Kv-value [m ³ /h]		pressure gas [bar]
	Inlet	Exhaust	
6	0.5	0.8	1 ... 8

Layout

3D ID: 143.695.00

Selection sheet		4-127.869.00		Release		01		Drawn		02.04.2002		gs - Gfeller	
Drawing class				Modification-No.		OHNE		Proved		03.05.2002		rr - Röllli	
Scale	1:2			Modified	03.05.2002	gs - Gfeller		Size	Drawing-/Part-No.			Language	
Sheet	1	from	1	Data care	03.05.2002	fi - Fischer		4		128.133.02		en	

Subject to dimensional or design modification

Copyright on this drawing remains in our company

o4sm-ventil-imb-en