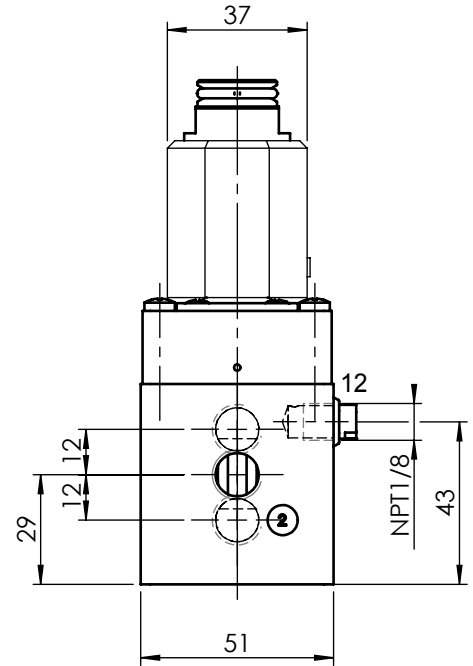
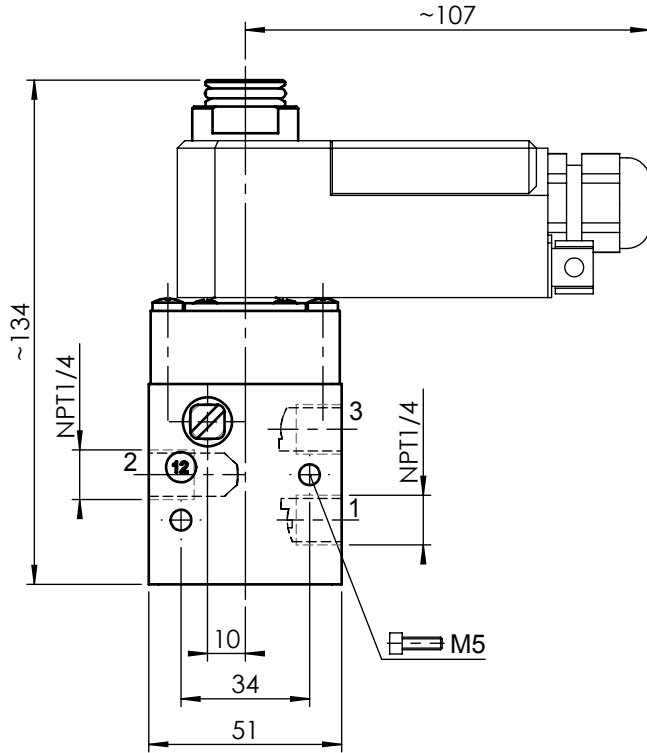


3/2-way solenoid valve

Pilot operated with internal
or external control air supply

Group	CP 06	Symbol		Type	CP 0632 CTK oH i		
Remarks	Solenoid 360° turnable			Orifice	Solenoid size	Manual control	
				6	11 200mW	none	
				Function	Drawn solenoid	Weight without solenoid	
				NC	52	0.55 kg	



Connections:

- 1 = Inlet
- 2 = Consumer
- 3 = Exhaust
- 12 = Inlet of control fluid

ND [mm]	Kv-value [m³/h]		Main pressure [bar] Port 1	Pilot pressure [bar] Port 12	Rem.
	Inlet	Exhaust			
6	0,72	1,4	1 ... 8	-	1)
			0 ... 8	min. 2	2)

1) For open / close valves
2) For control valves

Layout

3D ID: 157.628.00

Selection sheet	4-128 558 00	Release	00	Drawn	10.11.2003	hep - Hediger
Drawing class		Modification-No.		Proved	10.11.2003	ror - Rölli
Scale	1:2		Modified	12.11.2003	hep - Hediger	Size
Sheet	from	1	Administration	10.11.2003	fir - Fischer	Language
				4		157.623.02
						en

Subject to dimensional or design modification

Copyright on this drawing remains in our company

o46m-ventil-mb-en