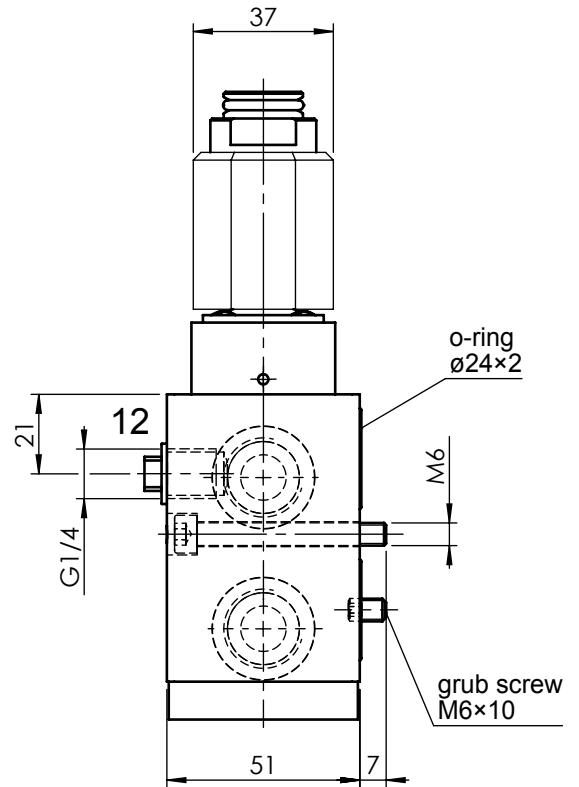
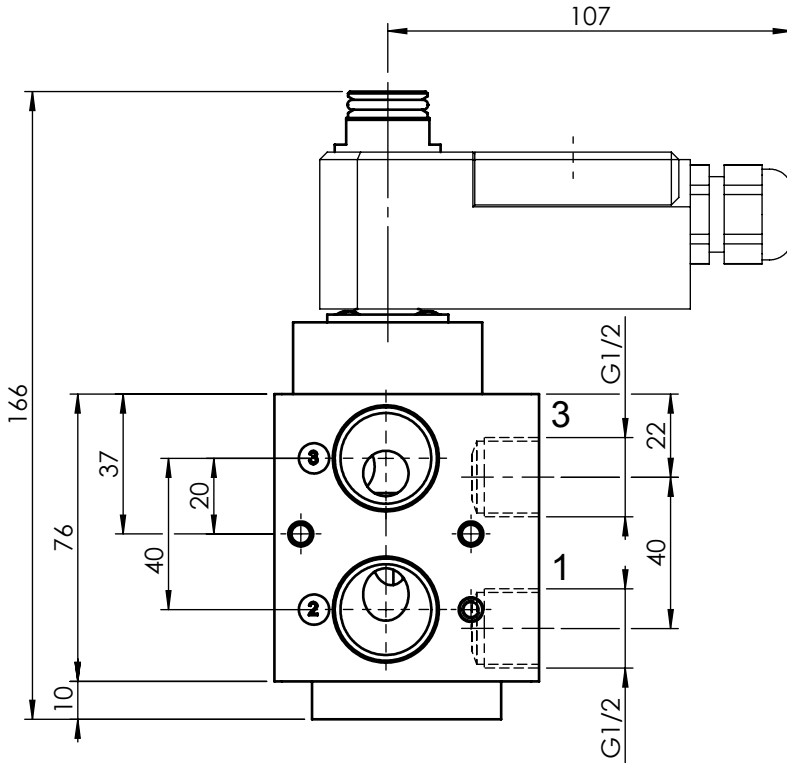


3/2-way solenoid valve

pilot operated with internal
or external control air supply

Group	CP12	Symbol				
Remarks	- with VDI/VDE 3845 - G1/2 interface - incl. mounting set - solenoid can be rotated through 360°		Type	CP 1232 CXK oH i		
	DN	12	Solenoid size	11	Manual control	none
	Function	NC	Drawn solenoid	52	Weight without solenoid	0.90 kg



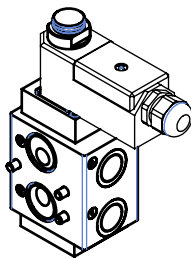
DN [mm]		Kv-value [m³/h]		main pressure [bar] Port 1	pilot pressure [bar] Port 12	Rem.
Inlet	Exhaust	Inlet	Exhaust			
12	12	2.4	3.3	2 ... 8	-	1)
				0 ... 8	min. 2	2)

Ports:

- 1 = Inlet G 1/2
- 2 = Consumer NAMUR
- 3 = Spring chamber ventilation for quarter-turn actuators with spring return
- 3 = Outlet G 1/2
- 12 = Inlet of control fluid

- 1) For open / close valves
- 2) For control valves

1:5



Layout

3D ID: 233.173.00

Selection sheet		4-128.830.00		Release	00	Drawn	02.02.2012	beg - Bertschinger		
Drawing class				Modification-No.		Proved	06.07.2012	ror - Rölli		
Scale	1:2			Modified	06.07.2012	hep - Hediger		Size	Drawing-/Part-No.	
Sheet	1	of	1	Administration	06.07.2012	fir - Fischer		4	233.184.02	
									Language	en

Subject to dimensional or design modification

Copyright on this drawing remains in our company

o4sm-ventil-mb-en