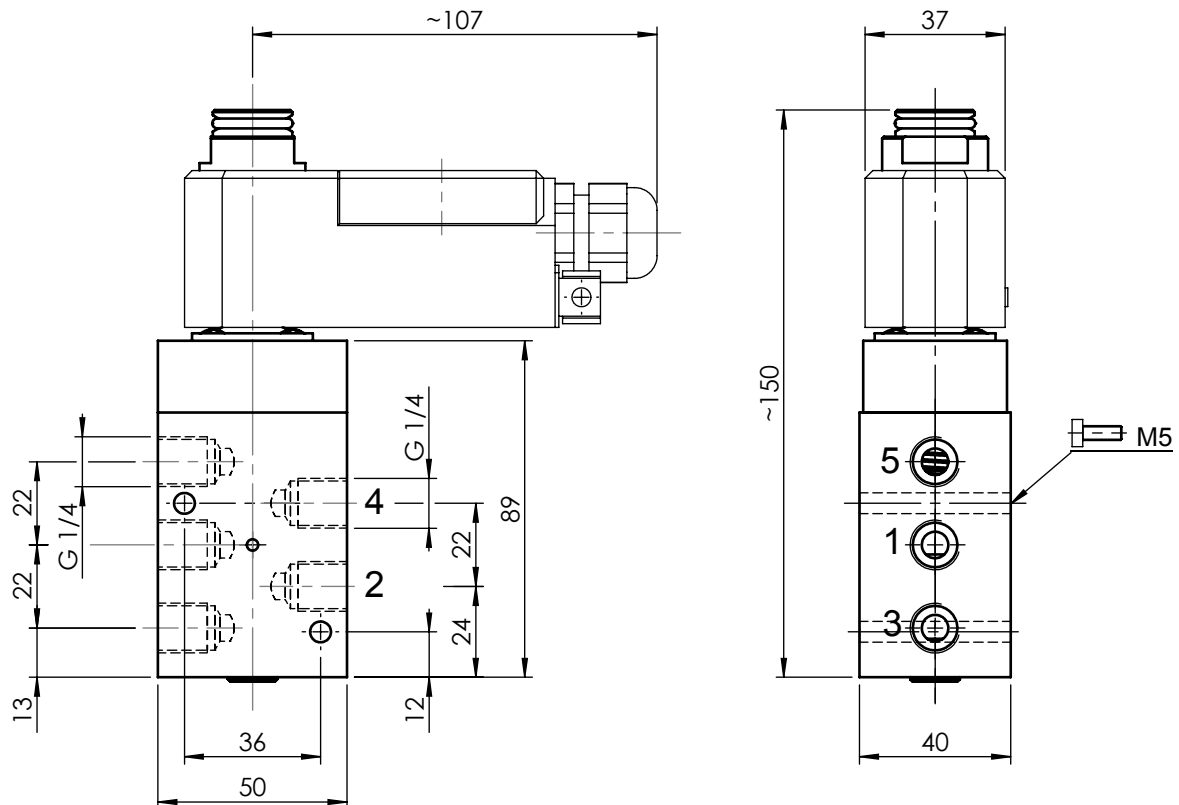


5/2-way solenoid valve

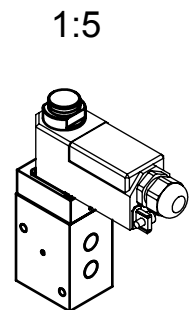
pilot operated with internal air supply

Group	CP06	Symbol		Type	CP 0652 -GE oH		
Remarks	- coil is 360° rotatable			DN	Solenoid size	Manual control	
				6	11	none	
				Function	Drawn solenoid	Weight without solenoid	
					52, 53	0.52 kg	



DN [mm]	Kv [m ³ /h]	Pressure [MPa]
6	1.08	0.25 ... 0.8

- Connections:**
 1 = Inlet: G 1/4
 2 = Consumer: G 1/4
 3 = Outlet: G 1/4
 4 = Consumer: G 1/4
 5 = Outlet: G 1/4



Layout

3D ID: 242.976.00

Selection sheet	4-126.108.00	Release	00		Drawn	02.02.2012	kuc - Kündig
Drawing class	G-Ex	Modification-No.			Proved	02.02.2012	beg - Bertschinger
Scale	1:2		Modified	19.04.2012	him - Hitz	Size Drawing-/Part-No. Language	
Sheet	1	of 1	Administration	02.02.2012	fir - Fischer	4	242.977.02 en

Subject to dimensional or design modification

Copyright on this drawing remains in our company

o4sm-ventil-mb-en