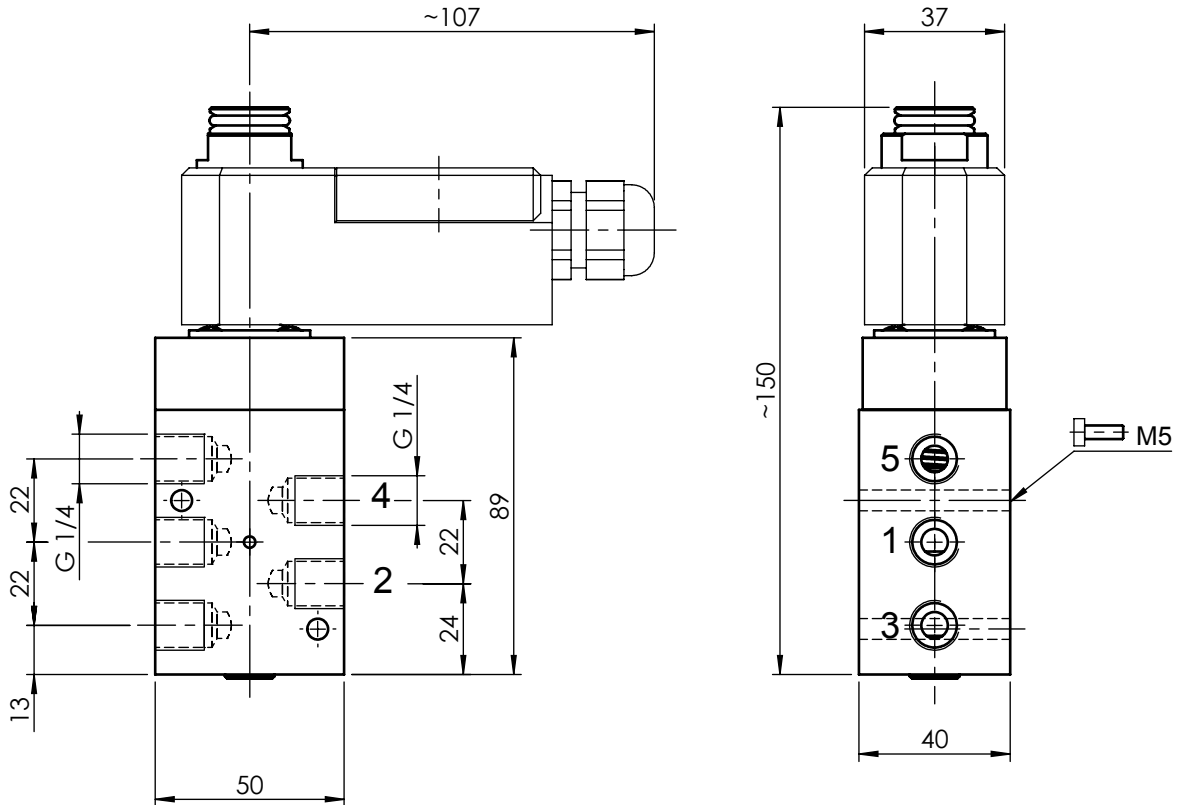


# 5/2-way solenoid valve

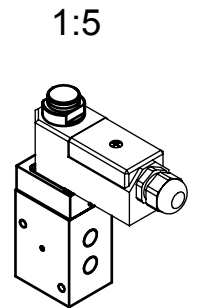
pilot operated with internal air supply

Group	CP06	Symbol		Type	<b>CP 0652 -GE oH i</b>		
Remarks	- coil is 360° rotatable			DN	Solenoid size	Manual control	
				6	11	none	
				Function	Drawn solenoid	Weight without solenoid	
					52, 53	0.52 kg	



DN [mm]	Kv [m <sup>3</sup> /h]	Pressure [MPa]
6	1.08	0.25 ... 0.8

- Connections:**  
 1 = Inlet: G 1/4  
 2 = Consumer: G 1/4  
 3 = Outlet: G 1/4  
 4 = Consumer: G 1/4  
 5 = Outlet: G 1/4



**Layout**

3D ID: 243.020.00

Selection sheet		4-126.108.00		Release	00		Drawn	03.02.2012	kuc - Kündig
Drawing class		G-Ex		Modification-No.			Proved	03.02.2012	beg - Bertschinger
Scale	1:2		Modified	19.04.2012	him - Hitz	Size	Drawing-/Part-No.		Language
Sheet	1	of	1	Administration	03.02.2012	fir - Fischer	<b>4 243.021.02</b>		en

Subject to dimensional or design modification

Copyright on this drawing remains in our company

o4sm-ventil-imb-en