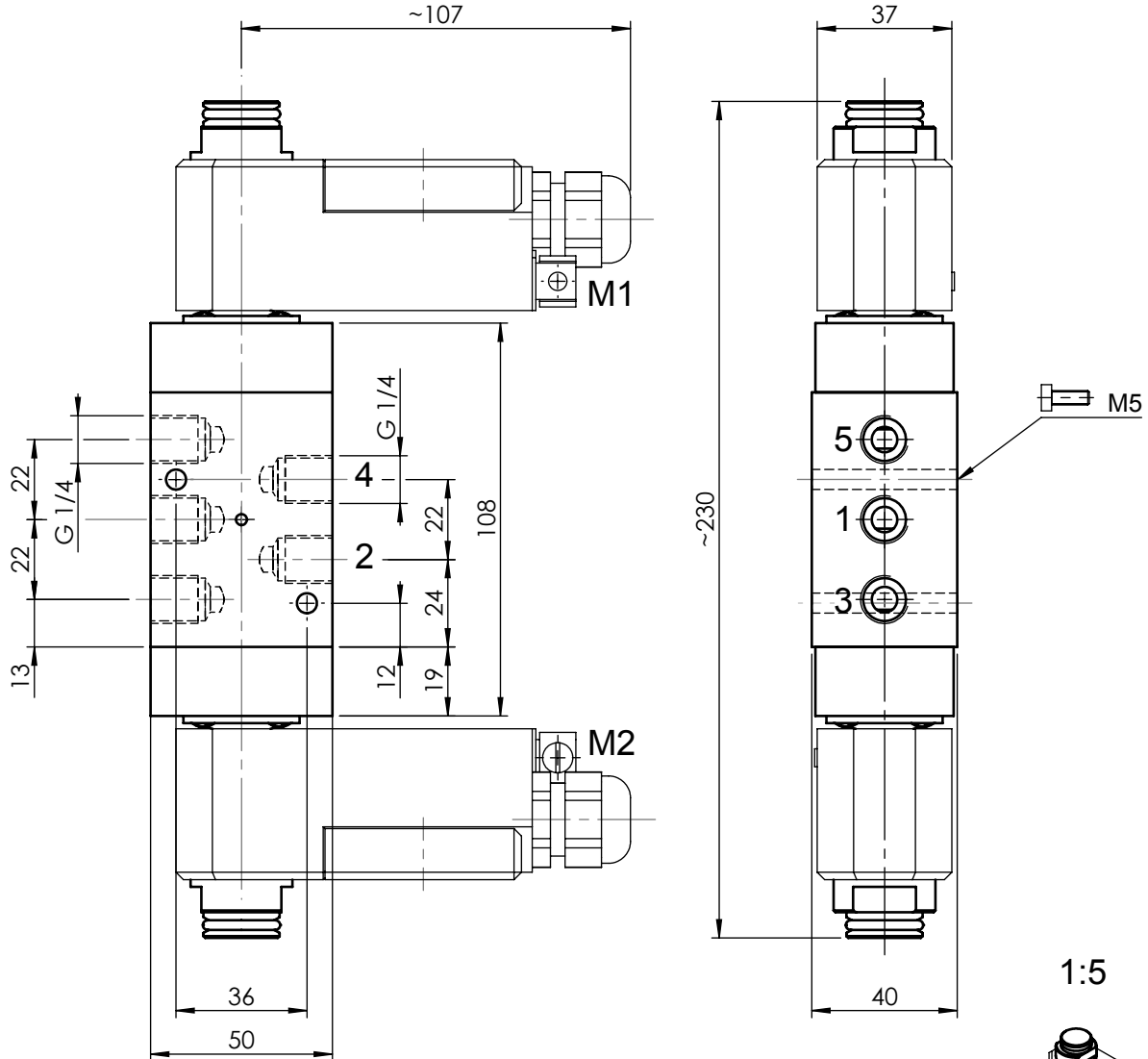


5/2-way solenoid valve

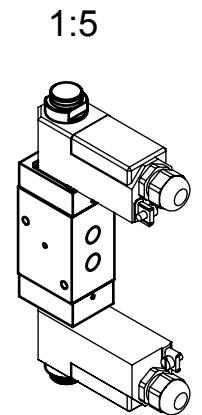
pilot operated with internal air supply

Group	CP06	Symbol		Type	CP 0652 BGE oH		
Remarks	- coil is 360° rotatable			DN	Solenoid size	Manual control	
				6	11	none	
				Function	Drawn solenoid	Weight without solenoid	
				bistable	52, 53	0.79 kg	



DN [mm]	Kv [m³/h]	Pressure [MPa]
6	1.08	0.25 ... 0.8

- Connections:**
 1 = Inlet: G 1/4
 2 = Consumer: G 1/4
 3 = Outlet: G 1/4
 4 = Consumer: G 1/4
 5 = Outlet: G 1/4



Layout

3D ID: 243.153.00

Selection sheet	4-126.116.00	Release	00	Drawn	13.02.2012	gsc - Gsell	
Drawing class	G-Ex	Modification-No.		Proved	13.02.2012	ror - Rölli	
Scale	1:2	Modified	19.04.2012	him - Hitz	Size		Language
Sheet	1 of 1	Administration	13.02.2012	fir - Fischer	4		en
					Drawing-/Part-No.		
					243.154.02		

Subject to dimensional or design modification

Copyright on this drawing remains in our company

o4sm-ventil-mb-en