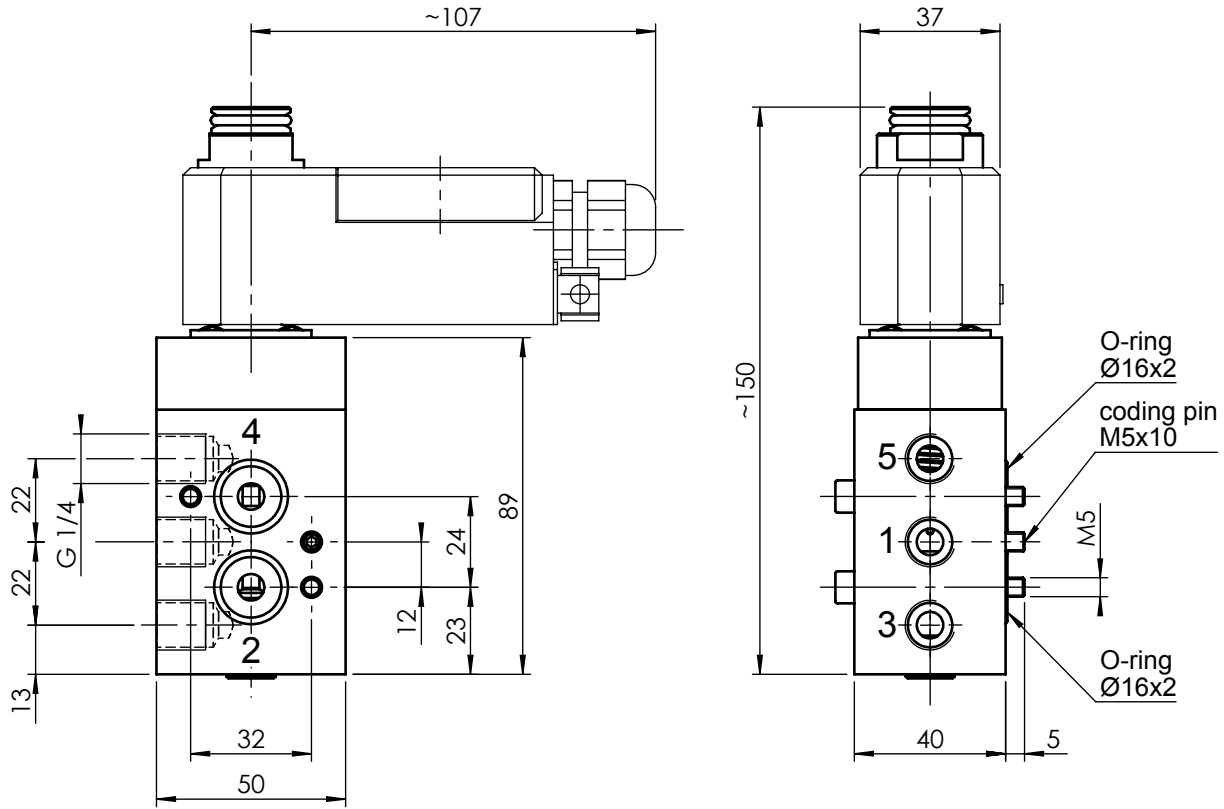


5/2-way solenoid valve

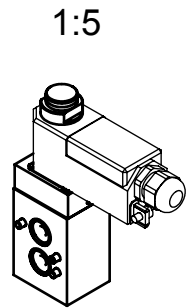
pilot operated with internal air supply

Group	CP06	Symbol				
Remarks	<ul style="list-style-type: none"> - with Namur interface - incl. mounting kit - coil is 360° rotatable 		Type	CP 0652 -NE oH		
	DN	6	Solenoid size	11	Manual control	none
	Function	Drawn solenoid	52, 53	Weight without solenoid	0.52 kg	



DN [mm]	Kv [m³/h]	Pressure [MPa]
6	1.08	0.25 ... 0.8

- Connections:**
- 1 = Inlet: G 1/4
 - 2 = Consumer: Namur
 - 3 = Outlet: G 1/4
 - 4 = Consumer: Namur
 - 5 = Outlet: G 1/4



Layout

3D ID: 244.159.00

Selection sheet	4-126.179.00	Release	00		Drawn	28.03.2012	him - Hitz	
Drawing class	G-Ex	Modification-No.			Proved	28.03.2012	ror - Rölli	
Scale	1:2	Modified	19.04.2012	him - Hitz	Size	Drawing-/Part-No.		
Sheet	1	Administration	28.03.2012	fir - Fischer	4		244.160.02	
							Language	en

Subject to dimensional or design modification

Copyright on this drawing remains in our company

o4sm-ventil-imb-en