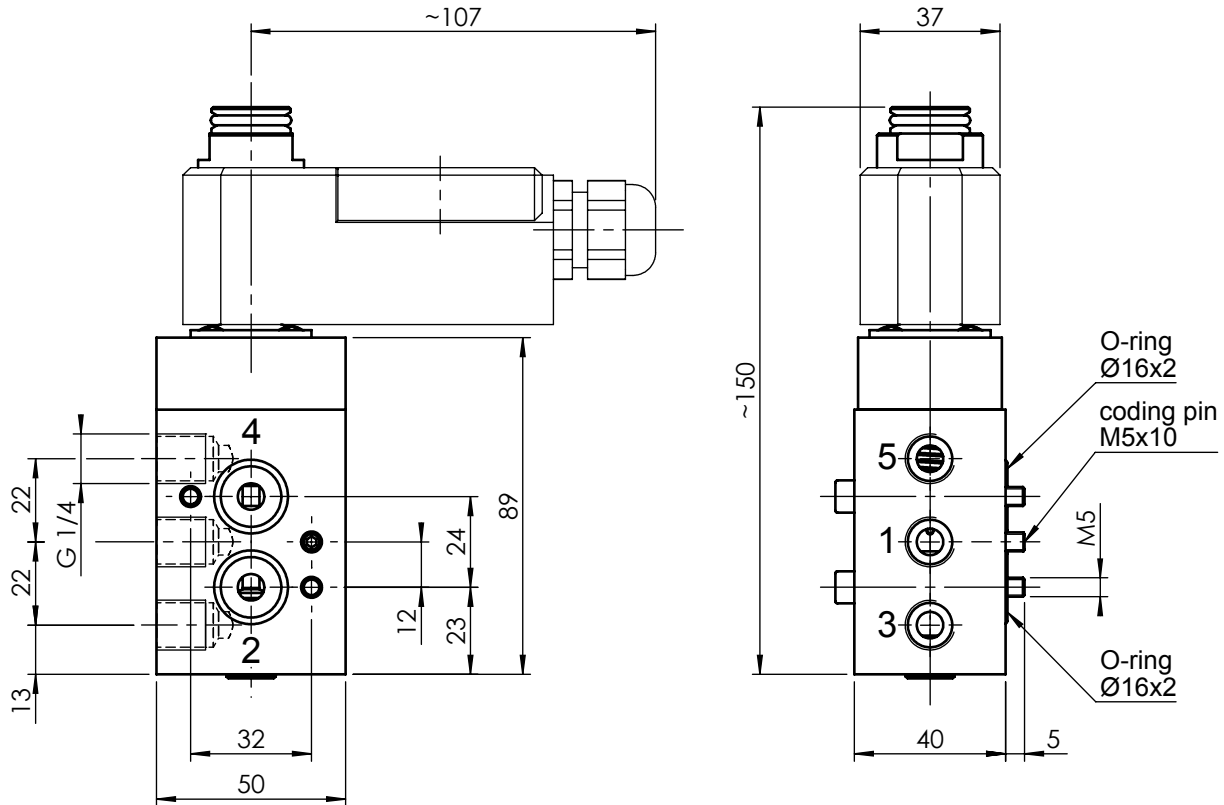


5/2-way solenoid valve

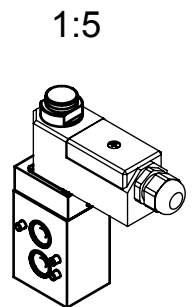
pilot operated with internal air supply

Group	CP06	Symbol				Type	CP 0652 -NE oH i			
Remarks	<ul style="list-style-type: none"> - with Namur interface - incl. mounting kit - coil is 360° rotatable 					DN	Solenoid size	Manual control		
						6	11	none		
						Function	Drawn solenoid	Weight without solenoid		
							52, 53	0.52 kg		



DN [mm]	Kv [m³/h]	Pressure [MPa]
6	1.08	0.25 ... 0.8

- Connections:**
- 1 = Inlet: G 1/4
 - 2 = Consumer: Namur
 - 3 = Outlet: G 1/4
 - 4 = Consumer: Namur
 - 5 = Outlet: G 1/4



Layout

3D ID: 244.149.00

Selection sheet	4-126.179.00	Release	00		Drawn	28.03.2012	him - Hitz	
Drawing class	G-Ex	Modification-No.			Proved	28.03.2012	ror - Rölli	
Scale	1:2	Modified	19.04.2012	him - Hitz	Size	Drawing-/Part-No.		Language
Sheet	1	Administration	28.03.2012	fir - Fischer	4		244.151.02	en

Subject to dimensional or design modification

Copyright on this drawing remains in our company

o4sm-ventil-imb-en