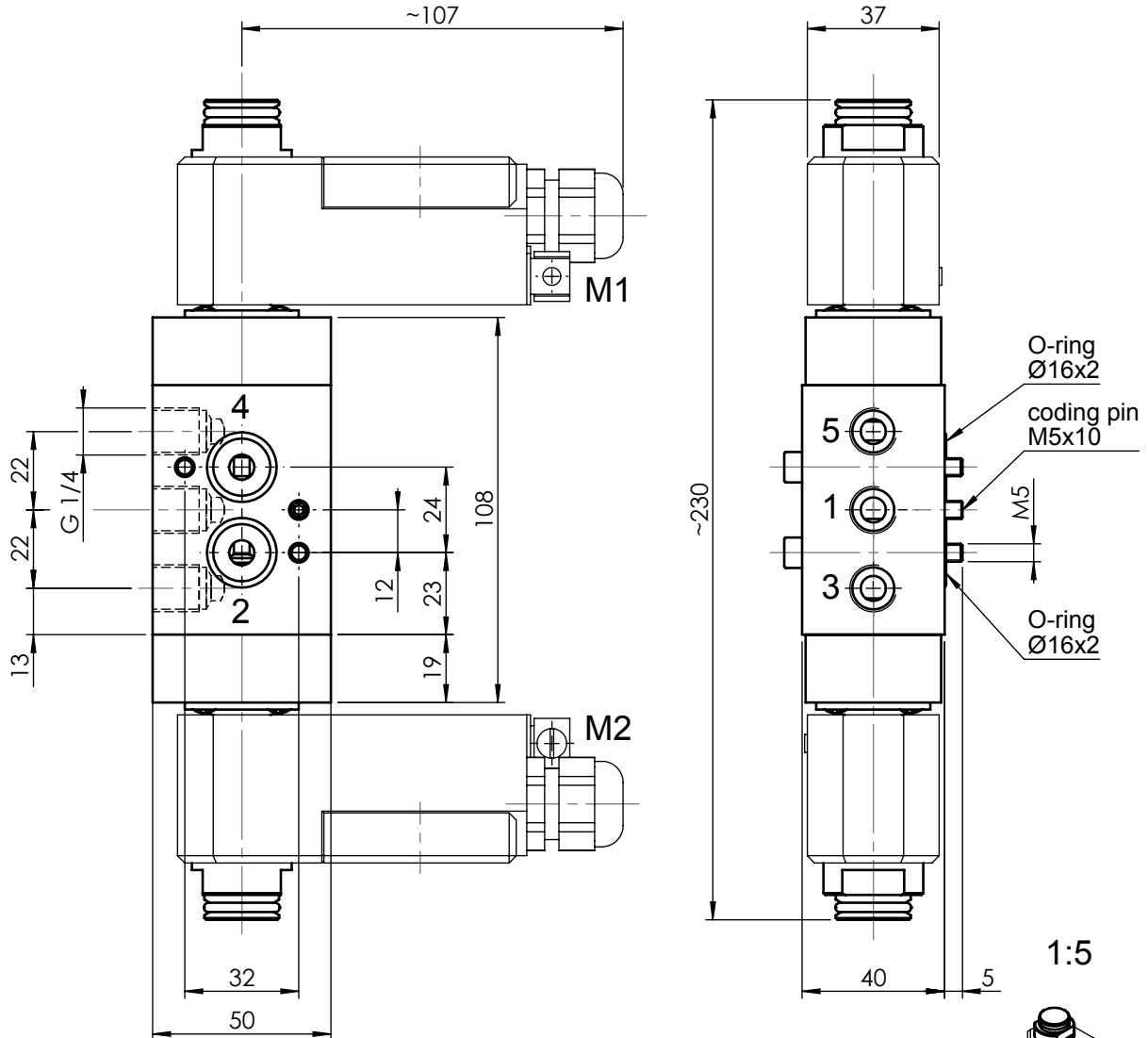


# 5/2-way solenoid valve

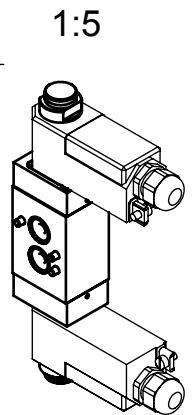
pilot operated with internal air supply

Group	CP06	Symbol		Type	<b>CP 0652 BNE oH</b>		
Remarks	<ul style="list-style-type: none"> <li>- with Namur interface</li> <li>- incl. mounting kit</li> <li>- coil is 360° rotatable</li> </ul>			DN	Solenoid size	Manual control	
				6	11	none	
				Function	Drawn solenoid	Weight without solenoid	
				bistable	52, 53	0.68 kg	



DN [mm]	Kv [m³/h]	Pressure [MPa]
6	1.08	0.25 ... 0.8

- Connections:**
- 1 = Inlet: G 1/4
  - 2 = Consumer: Namur
  - 3 = Outlet: G 1/4
  - 4 = Consumer: Namur
  - 5 = Outlet: G 1/4



**Layout**

3D ID: 244.202.00

Selection sheet	4-126.171.00	Release	00		Drawn	29.03.2012	him - Hitz	
Drawing class	G-Ex	Modification-No.			Proved	29.03.2012	ror - Rölli	
Scale	1:2	Modified	19.04.2012	him - Hitz	Size	Drawing-/Part-No.		
Sheet	1	Administration	29.03.2012	fir - Fischer	4		244.203.02	
							Language	en

Subject to dimensional or design modification

Copyright on this drawing remains in our company

o4sm-ventil-imb-en