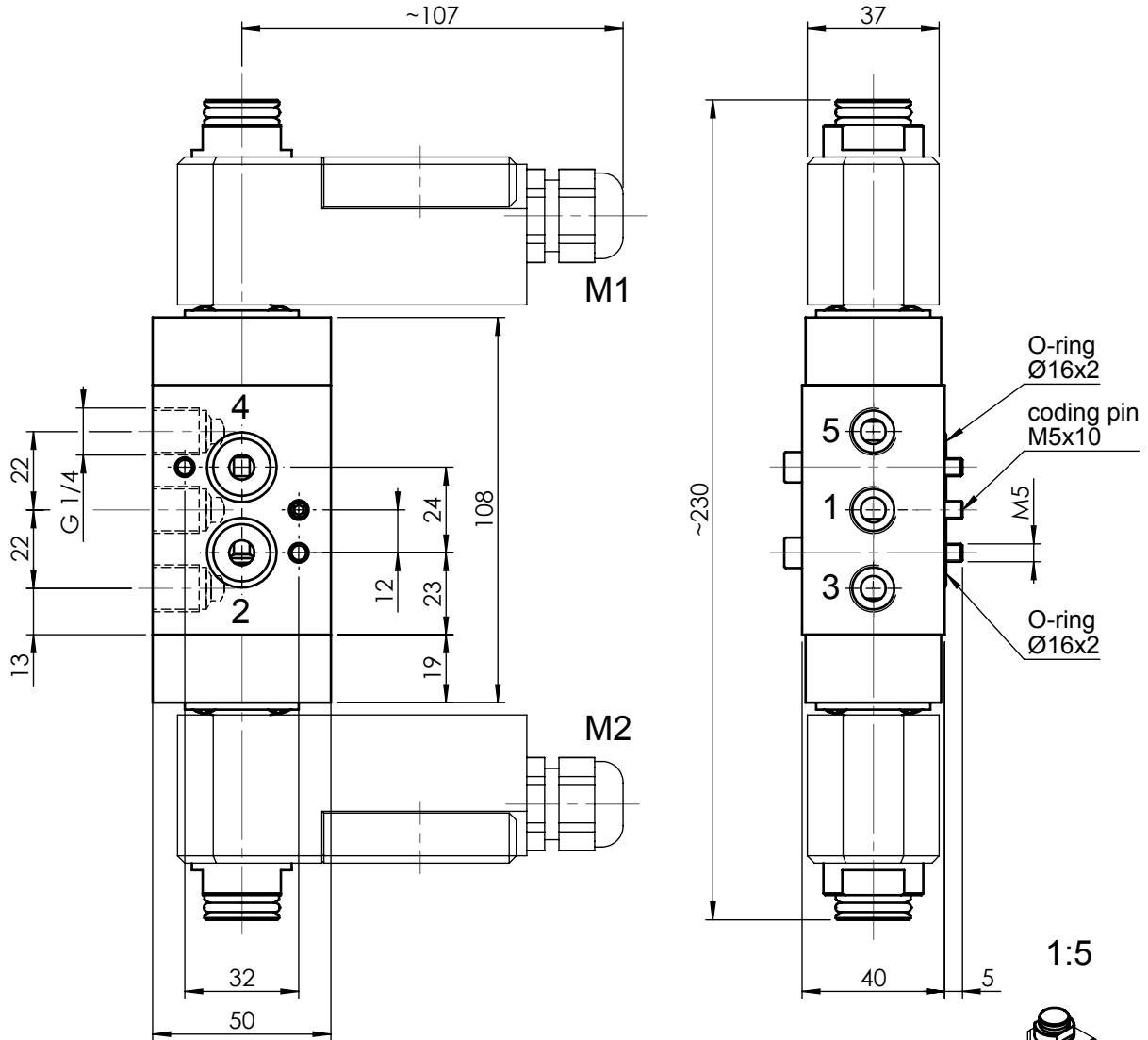


5/2-way solenoid valve

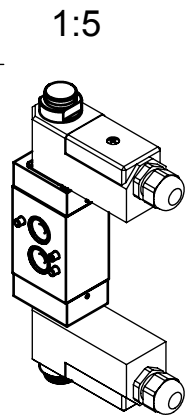
pilot operated with internal air supply

Group	CP06	Symbol			
Remarks	<ul style="list-style-type: none"> - with Namur interface - incl. mounting kit - coil is 360° rotatable 		Type	CP 0652 BNE oH i	
			DN	Solenoid size	Manual control
			6	11	none
			Function	Drawn solenoid	Weight without solenoid
			bistable	52, 53	0.68 kg



DN [mm]	Kv [m³/h]	Pressure [MPa]
6	1.08	0.25 ... 0.8

- Connections:**
- 1 = Inlet: G 1/4
 - 2 = Consumer: Namur
 - 3 = Outlet: G 1/4
 - 4 = Consumer: Namur
 - 5 = Outlet: G 1/4



Layout

3D ID: 244.217.00

Selection sheet	4-126.171.00	Release	00		Drawn	30.03.2012	him - Hitz
Drawing class	G-Ex	Modification-No.			Proved	30.03.2012	ror - Rölli
Scale	1:2	Modified	19.04.2012	him - Hitz	Size	Drawing-/Part-No.	
Sheet	1	Administration	30.03.2012	fir - Fischer	4 244.218.02		Language
							en

Subject to dimensional or design modification

Copyright on this drawing remains in our company

o4sm-ventil-imb-en