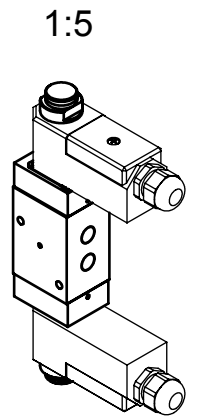
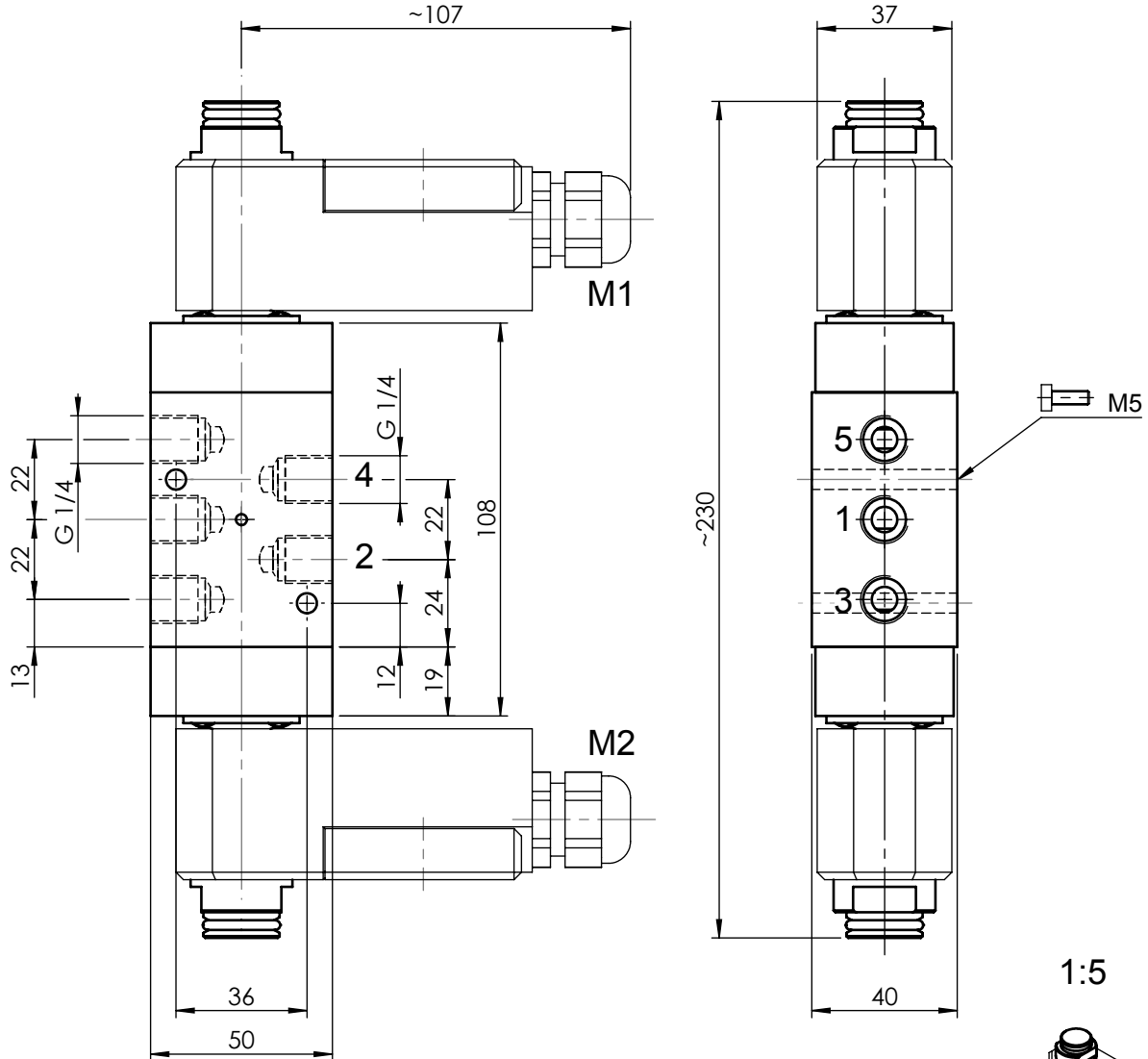


5/2-way solenoid valve

pilot operated with internal air supply

Group	CP06	Symbol		Type	CP 0652 BGE oH i		
Remarks	- coil is 360° rotatable			DN	Solenoid size	Manual control	
				6	11	none	
				Function	Drawn solenoid	Weight without solenoid	
				bistable	52, 53	0.79 kg	



Layout

3D ID: 244.222.00

DN [mm]	Kv [m³/h]	Pressure [MPa]
6	1.08	0.25 ... 0.8

Connections:

- 1 = Inlet: G 1/4
- 2 = Consumer: G 1/4
- 3 = Outlet: G 1/4
- 4 = Consumer: G 1/4
- 5 = Outlet: G 1/4

Subject to dimensional or design modification

Copyright on this drawing remains in our company

o4sm-ventil-imb-en

Selection sheet	4-126.116.00	Release	00	Drawn	30.03.2012	him - Hitz
Drawing class	G-Ex	Modification-No.		Proved	30.03.2012	ror - Rölli
Scale	1:2	Modified	19.04.2012	him - Hitz	Size Drawing-/Part-No. Language	
Sheet	1 of 1	Administration	30.03.2012	fir - Fischer	4 244.223.02 en	