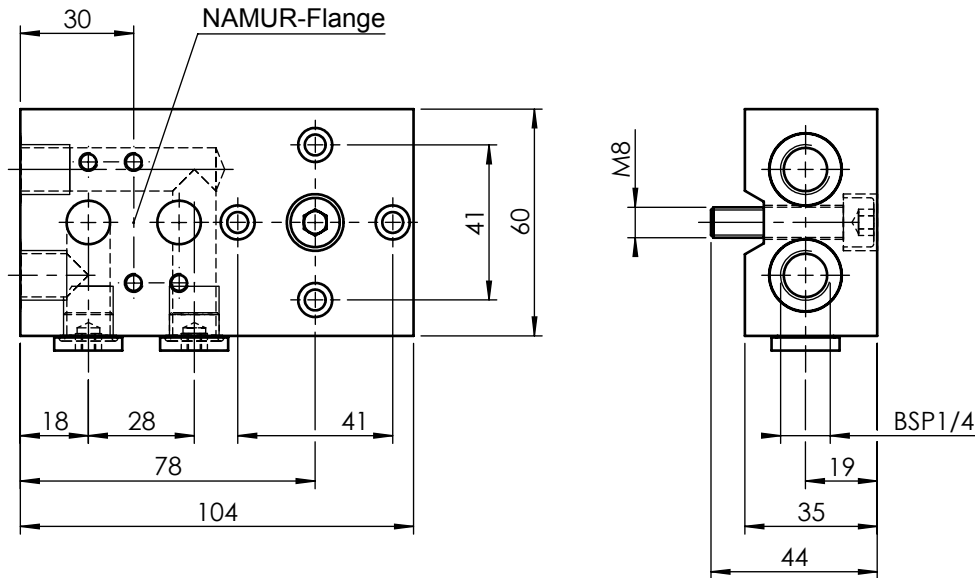


NAMUR-Connection Plate

Remark: to build on NAMUR-lantern or NAMUR-rod

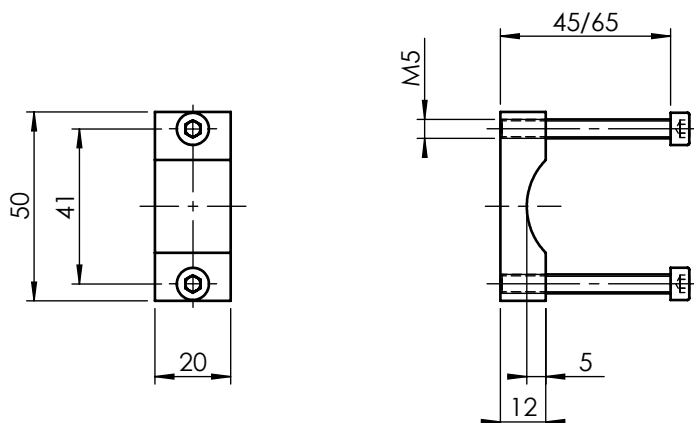
Group: **UV-05 / CP-11 / CP-12**

Connection Plate Complete (to build on NAMUR-lantern)



Order-No.
124.579.00

Clamp Complete (to fix connection plate on NAMUR-rod)



The kit includes:

- 1 Aluminium clamp with ematal surface treatment
- 2 Screws M5×45 stainless steel
- 2 Screws M5×65 stainless steel

for NAMUR-rod $\varnothing 20$ to 35 mm

Order-No.
127.618.00

Technical information

3D ID: 175.168.00 + 201.426.00

Selection sheet		Release		03		Drawn	06.08.2008	hep - Hediger		
Drawing class		Modification-No.		5930		Proved	31.07.1996	ror - Röllli		
Scale	1:2			Modified	17.02.2012	hep - Hediger		Size	Drawing-/Part-No.	
Sheet	1	of	1	Administration	07.08.2008	fir - Fischer		4	124.573.02	
										Language

Subject to dimensional or design modification

Copyright on this drawing remains in our company

odsm-ventil-szen