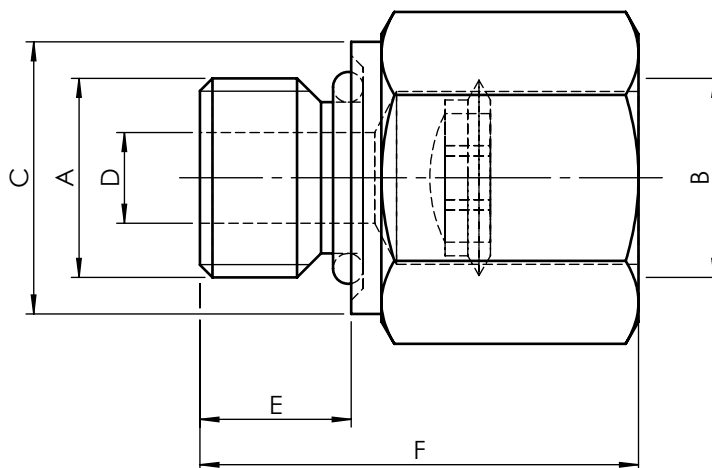
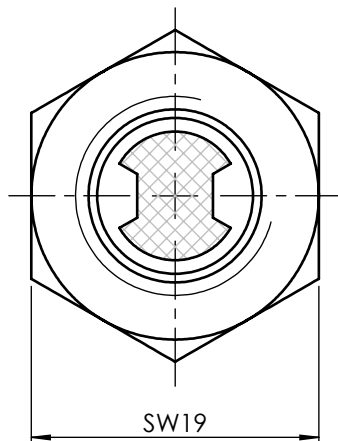


# Adapter with filter

Remark: Mesh width 0.1 mm

Group:

CP ..



A	B	C	D	E	F	Order-No.
BSP1/4	NPT1/4	∅18	∅6	10	29	125.298.00
BSP1/4	NPT1/4	∅18	∅6	10	29	201.579.00
BSP1/4	BSP1/4	∅18	∅6	10	29	125.889.00
BSP1/4	BSP1/4	∅18	∅6	10	29	201.580.00
BSP1/8	NPT1/4	∅14	∅3	8	28	150.836.00
BSP1/8	BSP1/4	∅14	∅3	8	28	150.835.00
NPT1/4	NPT1/4	∅18	∅6	10	30	204.968.00
NPT1/8	NPT1/4	∅14	∅3	8	28	204.971.00

## Technical data

Working pressure: max. 8 bar

Adapter : stainless steel

Filter (sieve) : Pa 6 and wire fabric with mesh width 0.1 mm

Packing ring : nitril rubber

201.580.00 --> Festo Art. Nr.: 563398

Description NPVF-AF-G14-G14-MF

201.579.00 --> Festo Art. Nr.: 563397

Description NPVF-AF-G14-N14-MF

## Technical information

3D ID: 201.444.00

Selection sheet		Release		06		Drawn	07.08.2008	hep - Hediger	
Drawing class		Modification-No.		5531		Proved	24.11.1998	ror - Röllli	
Scale	2:1			Modified	28.01.2010	sca - Schloss		Size	4
Sheet	1	of	1	Administration	08.08.2008	fir - Fischer		Drawing-/Part-No.	125.435.02
								Language	en

Subject to dimensional or design modification

Copyright on this drawing remains in our company

oasm-ventil-szen