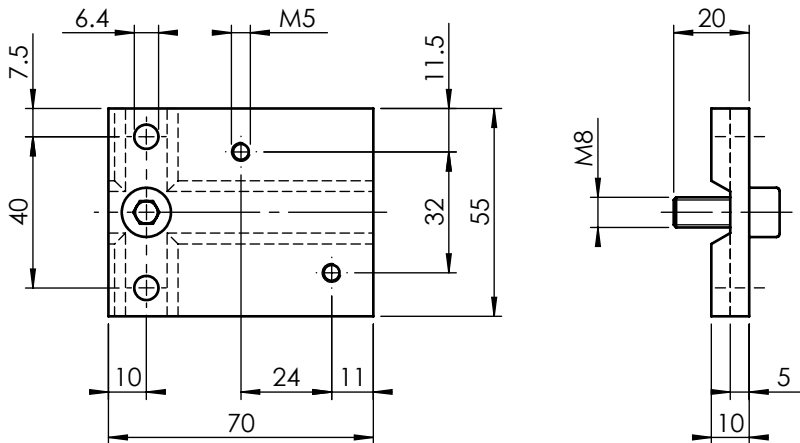


NAMUR-Mounting Plate Complete

Remark: to build on NAMUR-lantern or NAMUR-rod

Group: **UV-05 / CP-11 / CP-12**

Mounting Plate Complete (to build on NAMUR-lantern)



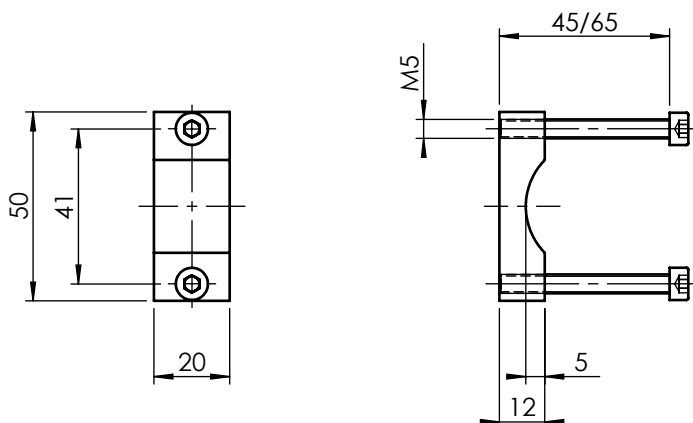
The kit includes:

- 1 Aluminium clamp with ematal surface treatment
- 1 Screw M8×20 stainless steel

Order-No.
126.391.00

Subject to dimensional or design modification

Clamp Complete (to fix mounting plate on NAMUR-rod)



The kit includes:

- 1 Aluminium clamp with ematal surface treatment
- 2 Screws M5×45 stainless steel
- 2 Screws M5×65 stainless steel

for NAMUR-rod \varnothing 20 to 35 mm

Order-No.
127.618.00

Copyright on this drawing remains in our company

Technical information

3D ID: 201.433.00 + 201.426.00

Selection sheet		Release		02		Drawn	06.08.2008	hep - Hediger		
Drawing class		Modification-No.		OHNE		Proved	01.07.1997	ror - Röllli		
Scale	1:2			Modified	07.08.2008	hep - Hediger		Size	Drawing-/Part-No.	
Sheet	1	of	1	Administration	07.08.2008	fir - Fischer		4	126.448.02	
										Language

oasm-ventil-szen