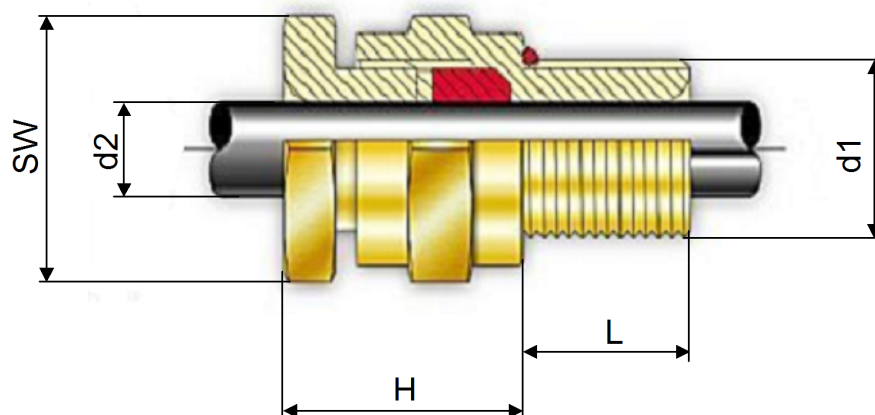


Cable gland NPT 1/2

Notes: EEx d IIC for unarmoured cables

Group:



Entry thread ø d1	Cable ø d2	Wrench size	L	H	Gland material	Weight	Order no.
NPT 1/2	3.4 ... 8.4	24	16	25 ... 30	Brass	~ 110g	122.909.02
NPT 1/2	7.2 ... 11.7	24	16	25 ... 30	Stainless steel	~ 90g	122.909.11

Technical information

Ex-protection	EEx d IIC / EEx e II
Certificate	SIRA 01 ATEX 1272X
IP-rating	IP >=66
Temperature range	-60°C ... +180°C
Seal material	Silicone
For Cable	unarmoured
For Solenoid	Construction type 65

Layout

3D ID:

Selection sheet		Release		01		Drawn	20.04.2005	ksb - Kuster Sold	
Drawing class		Modification-No.		4556		Proved	24.02.2005	ror - Rölli	
Scale	1:1		Modified	25.02.2008	sca - Schloss	Size	Drawing-/Part-No.		Language
Sheet	1	from	Administration	22.04.2005	fir - Fischer	4	126.673.02		en

Subject to dimensional or design modification

Copyright on this drawing remains in our company

o4sm-ventill-imb-en