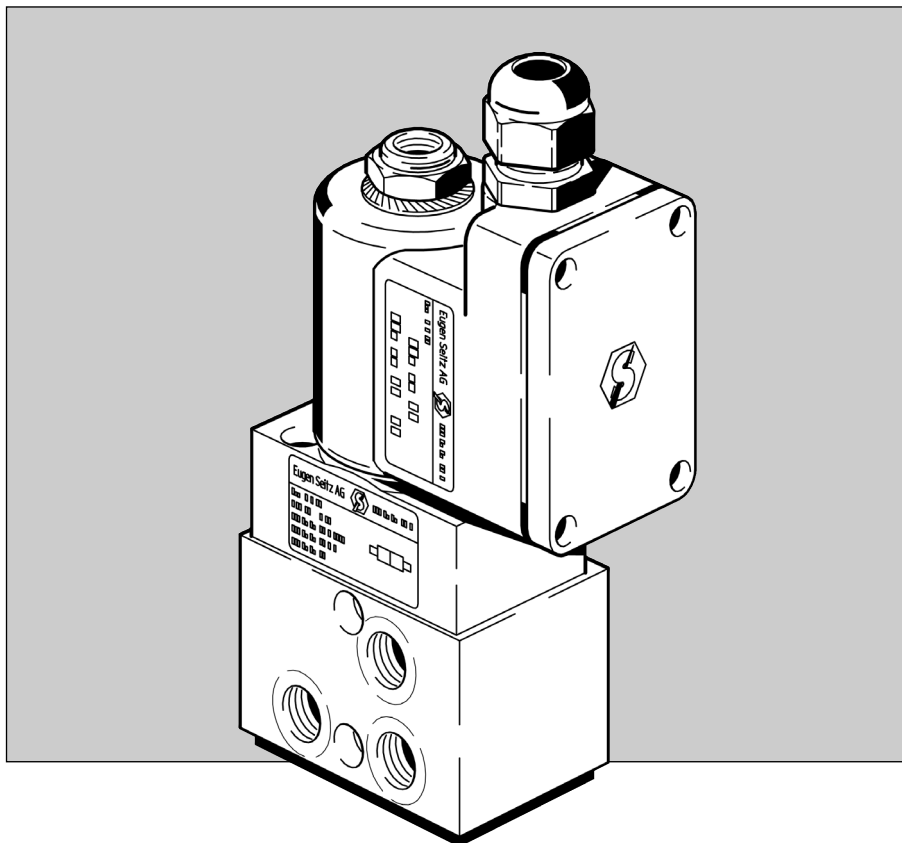


## Pilot operated solenoid valves for pneumatic actuators

---

- **5/2 way solenoid valves**
- **For double acting actuators**
- **Orifice size 6 mm**
- **NAMUR and threaded connections**
- **Pressure range 2 ... 10 bar**
- **For air and inert gases**



### Valve group 1471

The valve group 1471 belongs to the series of pilot-operated solenoid valves. Thanks to their robust construction, they are extremely reliable, weatherproof, insensitive to dirt, shockproof and are characterised by a high switching reliability.

### Application

Solenoid valves of the 1471 group ensure a high switching reliability which is of particular importance for quarter-turn actuators with long service lives.

Their robustness makes these valves particularly suitable for use in the aggressive environments of chemical and petrochemical plants.

### Standard models

#### Design

Pilot operated solenoid valve featuring poppet valve technology.

#### Media

- Dry or lubricated air
- Inert gases

#### Temperatures

- Medium: –25 ... +60 °C
- Ambient: –25 ... +60 °C

Please observe the allowed ambient temperature range for the solenoid!

#### Materials

- Housing: Aluminium ematal
- Seals: Nitrile rubber (NBR)
- Internal parts: Stainless steel, POM, Brass

#### Mounting position

Optional

#### Manual override

Without manual override

### Further Models

Further models are available on request, or to meet particular requirements:

#### Manual override

Push button with spring return

### NAMUR flow control plate

An intermediate flow control plate is available as an accessory for valves with NAMUR interface.

Order no. 117 402 00

### Exhaust protector IP65

Obtainable for the exhaust ports 4, 5 and 6. The non-return system prevents entering of polluted ambient air or rain, which results in a higher function security and longer life time. The exhaust protector IP65 is specially suitable for outdoor applications.

Order no. 126.920.00

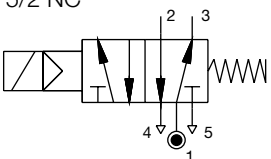
### EMATAL – Corrosion protection

Eugen Seitz AG aluminium valves are "hard ematalised" as standard.

Ematal is a surface treatment in which a very hard and compact aluminium oxide layer with titanium oxide intercalation is applied to the valve. This produces a long-lasting protection against corrosion and mechanical stress.

For detailed information with an overview of the chemical resistance, please request the "Hard ematal surface treatment for solenoid valves" technical information.

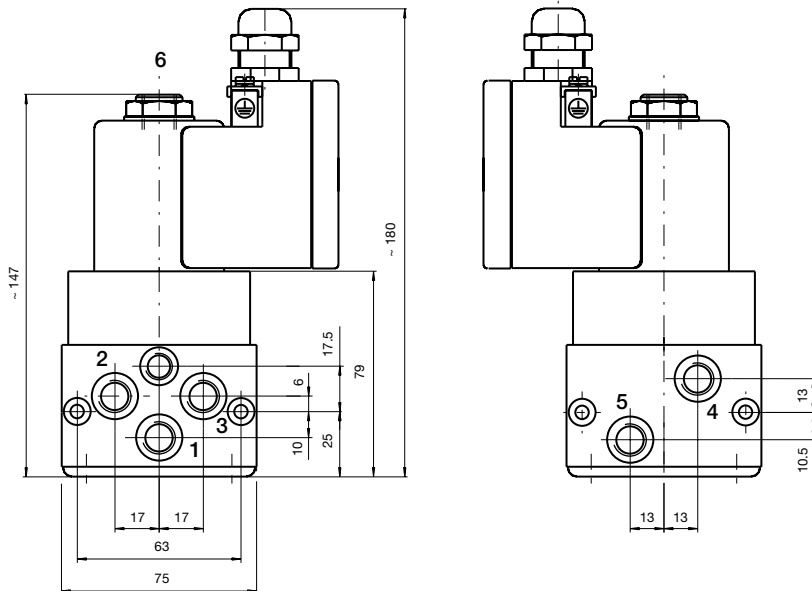
### Type overview

Function	Orifice size	Kv-value [m³/h]		Pressure [bar]	Ports 1, 2 and 3	Valve type	Fig. no.	Remarks
		Inflow	Outflow					
5/2 NC 	6 mm	0.88	1.0	2 ... 10	G 1/4	1471 oH	1	
						1471-35 oH	1	1)
					NPT 1/4	1595 oH	1	
						1593-35 oH	1	1)
					NAMUR and G 1/4	1471N oH	2	
						1471N-35 oH	2	1)

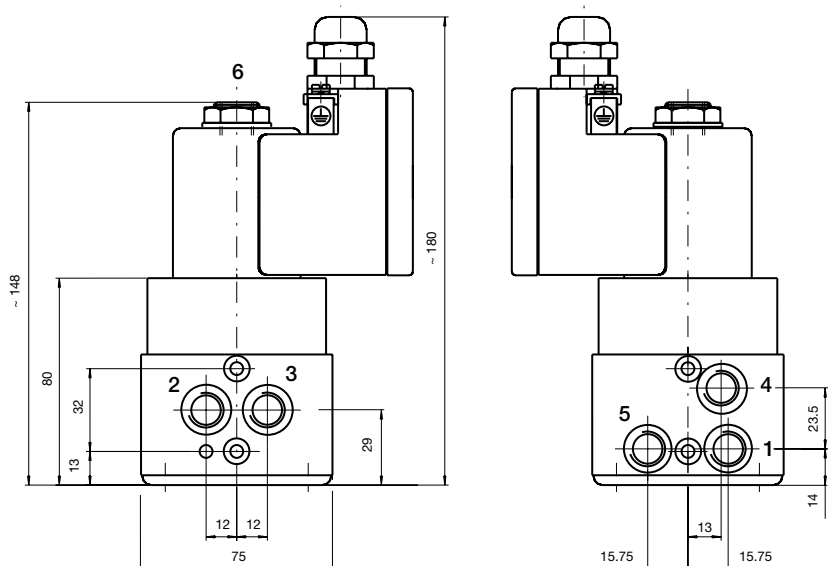
1) For MT2 solenoids with a rated power of 3.5 watts (EEx d 2.5 W)

**Dimensional drawings**

**Figure 1**



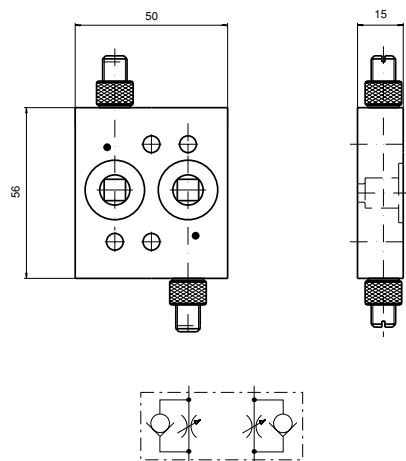
**Figure 2**



**Dimensional drawings accessories**

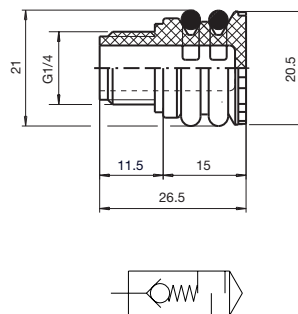
**NAMUR flow control plate**

To control close- and opening time of double acting actuators.



**Exhaust protection IP65**

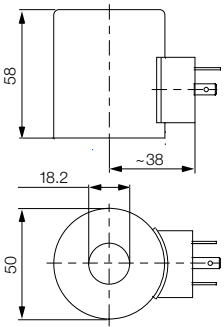
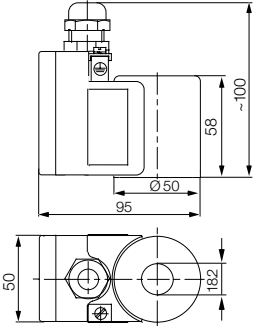
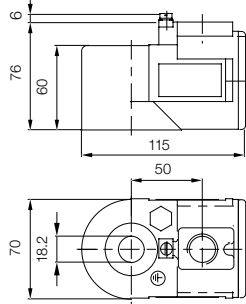
Prevents from entering of polluted ambient air or rain.



- Illustration with construction type 52 solenoid
- Solenoid can be rotated through 360°
- For connecting thread see type overview



**Technical data of solenoids**

Solenoids		With standard protection	For potentially explosive atmospheres				
Drawing							
Solenoid type	DC	<b>2 A 37</b>	<b>2 A 52</b>	<b>2 A 53</b>	<b>2 A 52</b>	<b>2 A 53</b>	<b>2 A 65 / 2 E 65</b>
	AC	<b>2 C 37</b>	-	-	<b>2 C 52</b>	-	<b>2 C 65</b>
	UC	-	<b>2 F 52</b>	<b>2 F 53</b>	<b>2 F 52</b>	<b>2 F 53</b>	<b>2 F 65</b>
Integrated fuse		no	no	yes	no	yes	no
Rated voltage (others on demand)		24 V, 110 V, 230 V	24 V 110 V 230 V	24 V	24 V 60 V 110 V 230 V	24 V	24 V, 110 V, 125 V, 220 V, 230 V
Operating time		100 %	100 %		100 %		
Ambient temperature		-20 ... +60 °C	-20...+50, 60 °C	-20 ... +40 °C		(-50) -20 ... +90 °C	
Ex-Protection		-	⊕ II 2 G EEx em II T6, T5 ⊕ II 2 D IP 65 T80 °C, T 90 °C	⊕ II 2 G EEx em II T4		⊕ II 2 G EEx d IIC T6 ... T4	
Degree of protection		IP 65	IP 65		IP 65		
Rated power		DC 3.5 W AC 5 VA	DC 11 W AC 15 VA	DC 3.5 W AC 3.5 VA	DC 12 W AC 15 VA	DC 2.5 W AC 3 VA	DC 7 W AC 12 VA
Connection		Plug-type connection according to DIN 4360. Connector with PG11 gland. Available with/without socket.	Cable terminal box. Coil completely sealed. Cable inlet with M20x1.5 gland.		Cable terminal box. Cable inlet thread: NPT1/2 (also available in 2.67 with M20x15)		
Certificate		CE	CE ⊕ ENEC		CE ⊕ ENEC UL GOST		
Weight		~530 g	~580 g		~1700 g		

© Eugen Seitz AG 2004 · 02.0324/E · Printed in Switzerland · 0404/0.5  
Subject to technical changes and changes in the scope of delivery.

Detailed information about the entire range of solenoids can be found in separate leaflets.

**How to order**

