

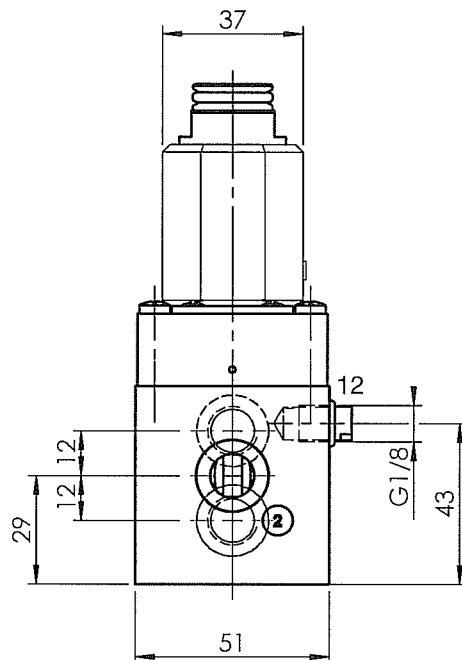
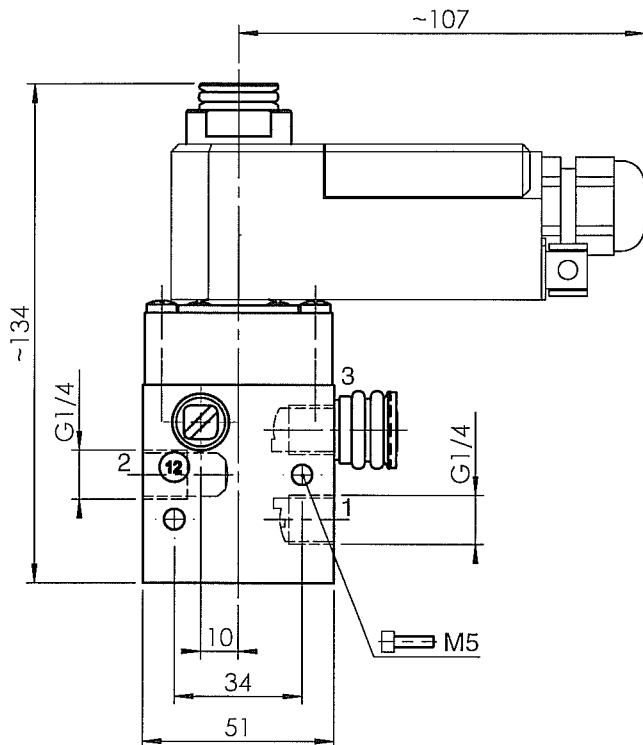
3/2-way solenoid valve

Pilot operated with internal
or external control air supply

Group	CP 06	Symbol		Type	CP 0632 CGK oH		
Remarks	- Solenoid 360° turnable - With TÜV-certificate up to SIL 4 according to IEC 61508			Orifice	Solenoid size	Manual control	
				6	11 1.8W	none	
				Function	Drawn solenoid	Weight without solenoid	
				NC	52, 53	0.55 kg	

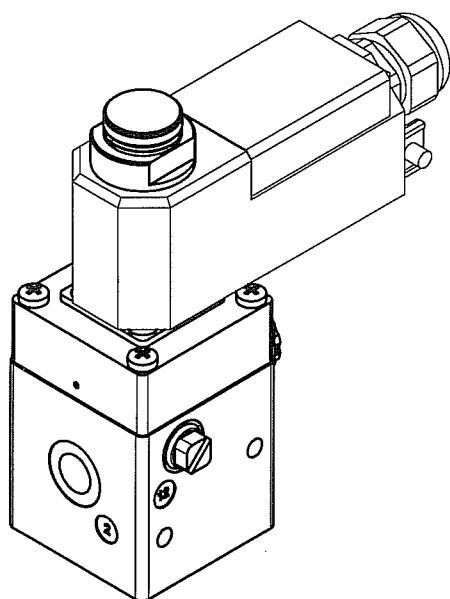
- Probability to failure of the safety function on demand PFD <math> < 2 \times 10^{-7}</math> at a confidence interval of 95%.
- The Safe Failure Fraction (SFF) according to table A1, IEC 61508-2 is greater or equal to 0,99.

The valves are therefore suitable to be used in safety related systems with a Hardware Fault Tolerance of 1 or 2 up to and including SIL 4.



Connections:

- 1 = Inlet
- 2 = Consumer
- 3 = Exhaust
- 12 = Inlet of control fluid



ND [mm]	Kv-value [m³/h]		Main pressure [bar] Port 1	Pilot pressure [bar] Port 12	Rem.
	Inlet	Exhaust			
6	0,72	1,4	1 ... 8	-	1)
			0 ... 8	min. 2	2)

- 1) For open / close valves
- 2) For control valves

Layout

3D ID: 155.638.00

Selection sheet		4-126.057.00		Release	00	Drawn	12.01.2004	prm - Presente
Drawing class				Modification-No.		Proved	12.01.2004	ror - Röllli
Scale	1:2		Modified	12.01.2004	prm - Presente	Size	Drawing-/Part-No.	
Sheet	1	from	Administration	12.01.2004	fir - Fischer	4	155.704.02	
						Language	en	

Subject to dimensional or design modification

Copyright on this drawing remains in our company

csm-ventil-mb-en