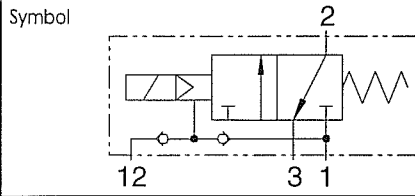


# 3/2-way solenoid valve

Pilot operated with internal  
or external control air supply

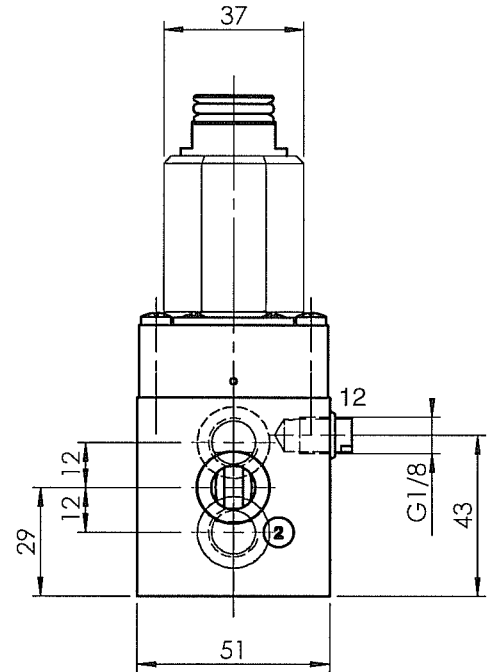
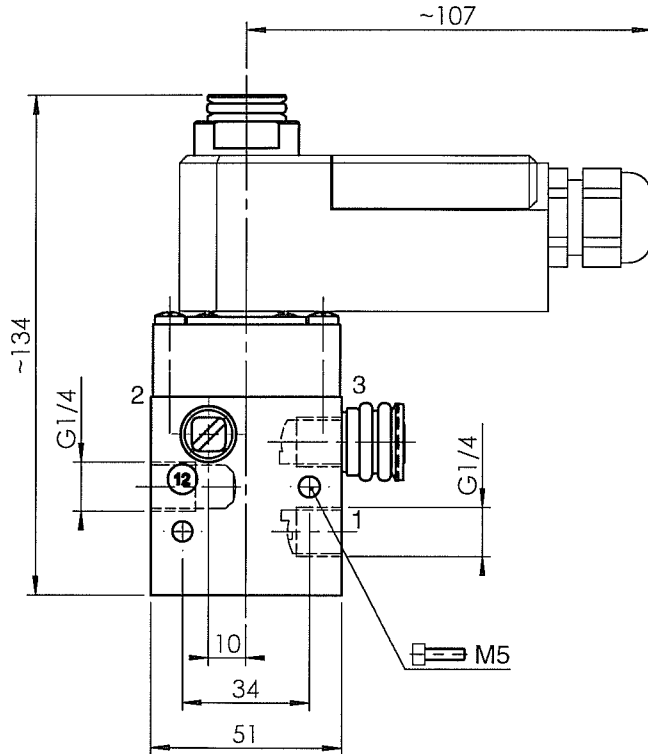
Group CP06  
Remarks  
- Solenoid 360° turnable  
- With TÜV-certificate up  
to SIL 4 according to  
IEC 61508



Type	CP 0632 CGK oH i		
Orifice	Solenoid size	Manual control	
6	11 200mW	none	
Function	Drawn solenoid	Weight without solenoid	
NC	52	0.55 kg	

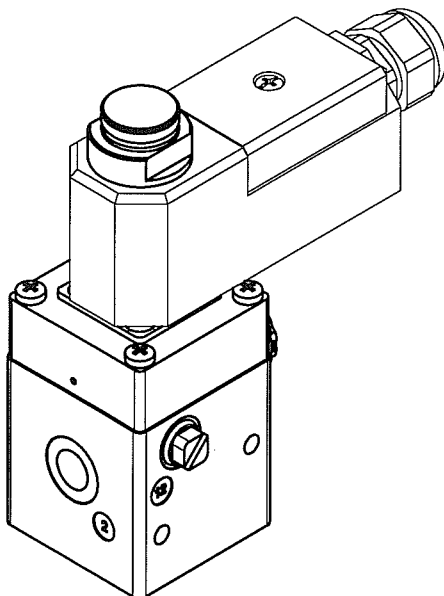
- Probability to failure of the safety function on demand PFD <math>2 \times 10^{-7}</math> at a confidence interval of 95%.
- The Safe Failure Fraction (SFF) according to table A1, IEC 61508-2 is greater or equal to 0,99.

**The valves are therefore suitable to be used in safety related systems with a Hardware Fault Tolerance of 1 or 2 up to and including SIL 4.**



**Connections:**

- 1 = Inlet
- 2 = Consumer
- 3 = Exhaust
- 12 = Inlet of control fluid



ND [mm]	Kv-value [m³/h]		Main pressure [bar] Port 1	Pilot pressure [bar] Port 12	Rem.
	Inlet	Exhaust			
6	0,72	1,4	1 ... 8	-	1)
			0 ... 8	min. 2	2)

- 1) For open / close valves
- 2) For control valves

## Layout

3D ID: 156.981.00

Selection sheet		4-126.057.00		Release	00	Drawn	12.01.2004	prm - Presente
Drawing class				Modification-No.		Proved	12.01.2004	ror - Rölli
Scale	1:2		Modified	12.01.2004	prm - Presente	Size	Drawing-/Part-No.	
Sheet	1	from 1	Administration	12.01.2004	fir - Fischer	4	156.994.02	
						Language	en	

Subject to dimensional or design modification

Copyright on this drawing remains in our company

a4sm-ventil-mb-en