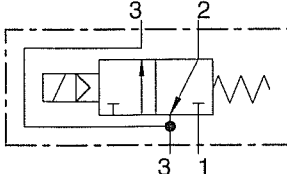


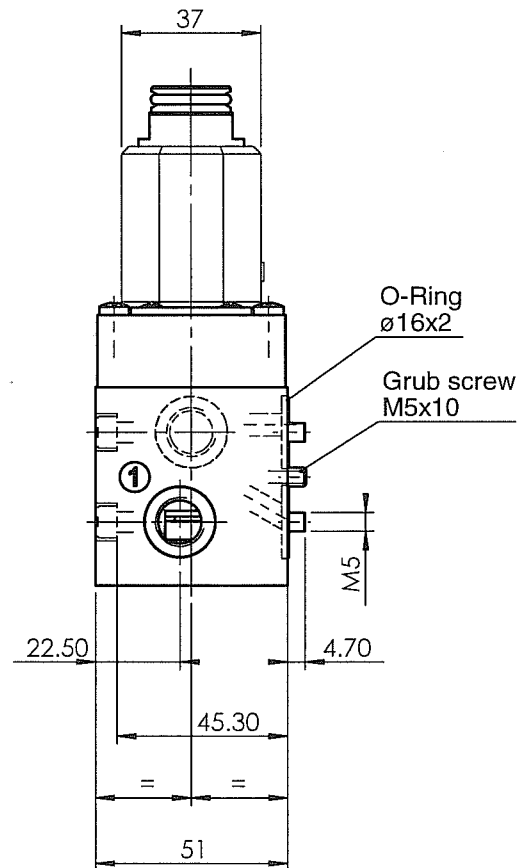
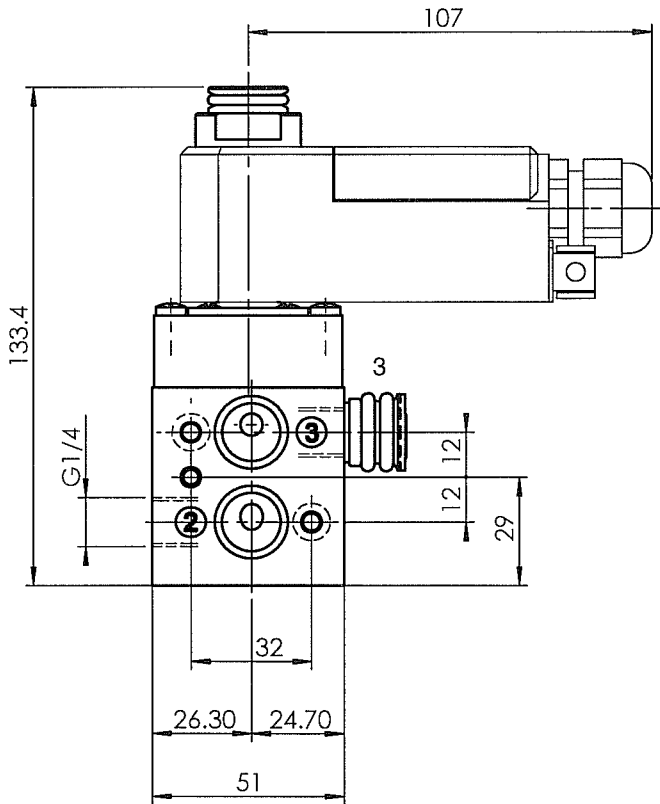
3/2-way solenoid valve

Pilot operated with own fluid

| | | | | | | | |
|---------|---|--------|---|----------|-----------------------|-------------------------|--|
| Group | CP 06 | Symbol |  | Type | CP 0632 CNX oH | | |
| Remarks | - with NAMUR-interface - incl. mounting-set - Solenoid can be rotated though 360° - with TÜV-certificate up to SIL 4 according IEC 61508 | | | Orifice | Solenoid size | Manual control | |
| | | | | 6 | 11 1.8W | none | |
| | | | | Function | Drawn solenoid | Weight without solenoid | |
| | | | | NC | 52, 53 | 0.55kg | |

- Probability to failure of the safety function on demand PFD <math> < 2 \times 10^{-7}</math> at a confidence interval of 95%.
- The Safe Failure Fraction (SFF) according to table A1, IEC 61508-2 is greater or equal to 0,99.

The valves are therefore suitable to be used in safety related systems with a Hardware Fault Tolerance of 1 or 2 up to and including SIL 4.



Connection:

- 1 = Inlet
- 2 = Consumer
- 3 = Outlet

| ND [mm] | Kv-value [m³/h] | | pressure gas [bar] |
|---------|-----------------|---------|--------------------|
| | Inlet | Exhaust | |
| 6 | 0.5 | 0.8 | 1 ... 8 |

Layout

3D ID: 159.321.00

| | | | | | | |
|-----------------|--------------|------------------|------------|----------------|------------|----------------|
| Selection sheet | 4-127.869.00 | Release | 00 | Drawn | 08.01.2004 | prm - Presente |
| Drawing class | | Modification-No. | | Proved | 08.01.2004 | ror - Röllli |
| Scale | 1:2 | Modified | 08.01.2004 | prm - Presente | | |
| Sheet | 1 | Data care | 08.01.2004 | fir - Fischer | 4 | 159.322.02 |
| | | | | | | en |

Subject to dimensional or design modification

Copyright on this drawing remains in our company

aadm-ventilimb-en