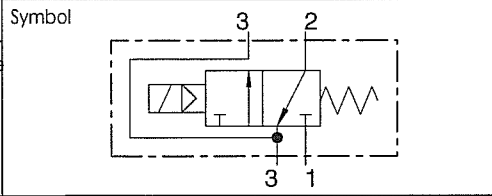


3/2-way solenoid valve

Pilot operated with own fluid

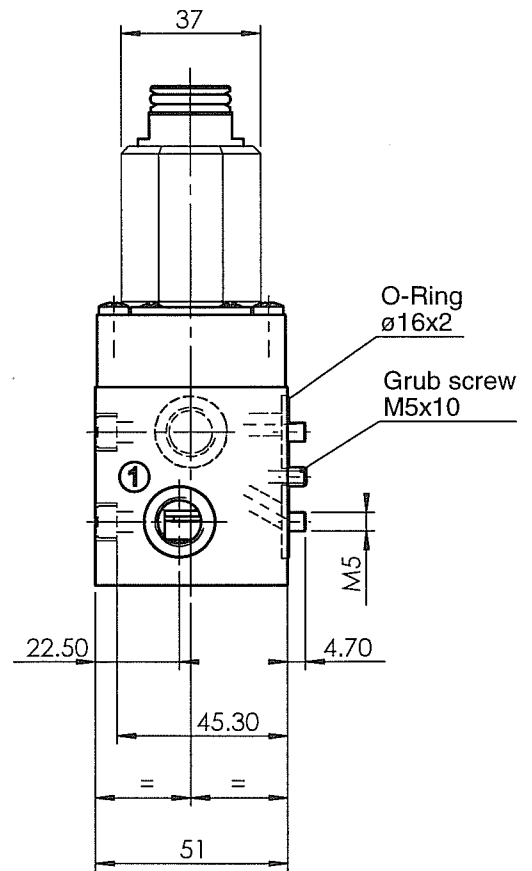
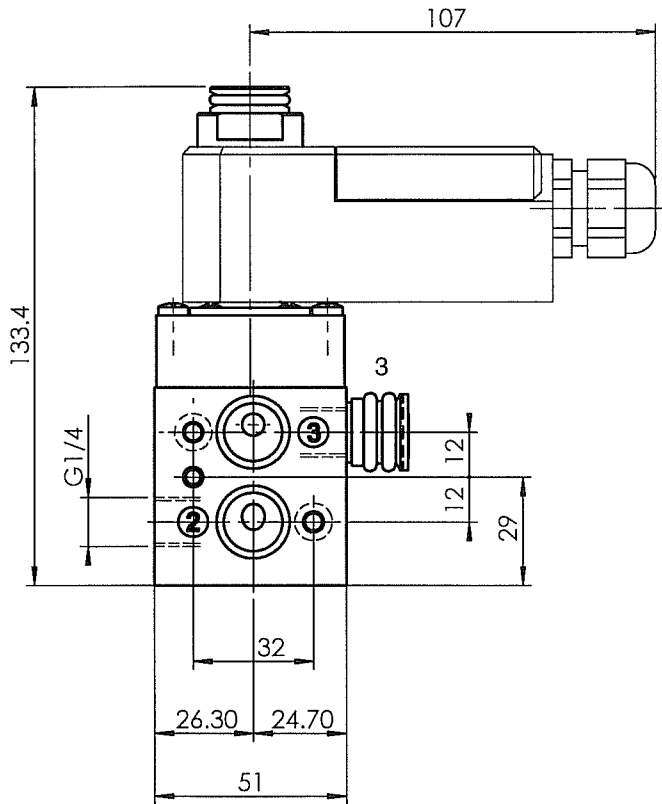
Group CP 06
 Remarks - with NAMUR-interface
 - incl. mounting-set
 - Solenoid can be rotated though 360°
 - with TÜV-certificate up to SIL 4 according IEC 61508



Type	CP 0632 CNX oH i		
Orifice	Solenoid size	Manual control	
6	11 200mW	none	
Function	Drawn solenoid	Weight without solenoid	
NC	52	0.55kg	

- Probability to failure of the safety function on demand PFD < 2 x 10⁻⁷ at a confidence interval of 95%.
- The Safe Failure Fraction (SFF) according to table A1, IEC 61508-2 is greater or equal to 0,99.

The valves are therefore suitable to be used in safety related systems with a Hardware Fault Tolerance of 1 or 2 up to and including SIL 4.



Connection:
 1 = Inlet
 2 = Consumer
 3 = Outlet

ND [mm]	Kv-value [m ³ /h]		pressure gas [bar]
	Inlet	Exhaust	
6	0.5	0.8	1 ... 8

Layout

3D ID: 159.310.00

Selection sheet		4-127.869.00		Release		00		Drawn		08.01.2004		prm - Presente	
Drawing class				Modification-No.				Proved		08.01.2004		ror - Rölli	
Scale	1:2			Modified	08.01.2004	prm - Presente		Drawing-/Part-No.				Language	
Sheet	1	from	1	Data care	08.01.2004	fir - Fischer		4		159.313.02		en	

Subject to dimensional or design modification

Copyright on this drawing remains in our company

o4sm-ventil-mb-en