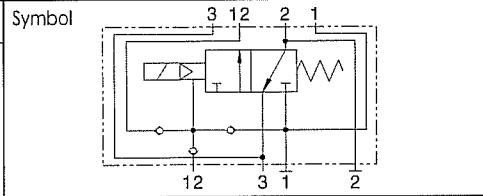


3/2-way solenoid valve

Pilot operated with optional pilot source (internal or external)

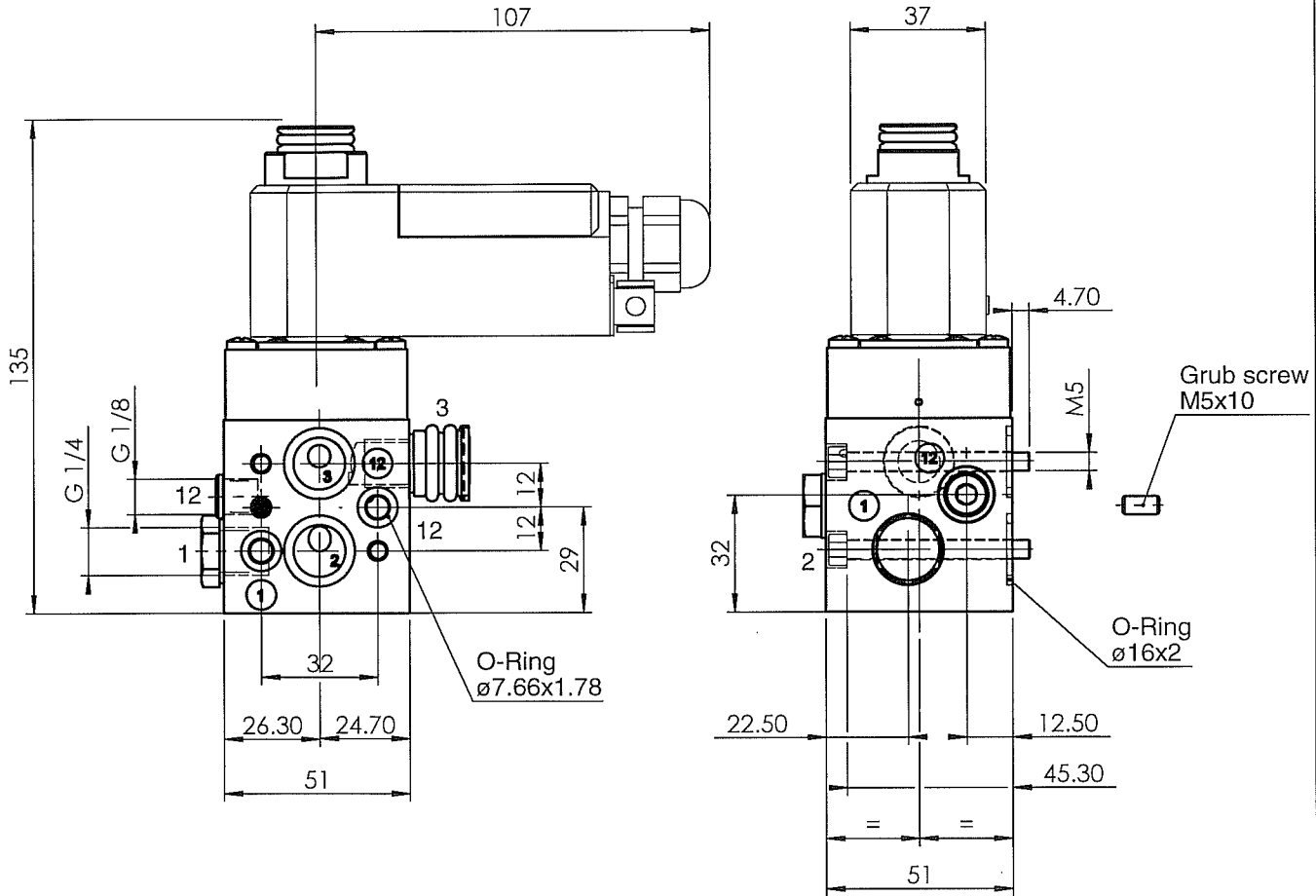
Group	CP 06
Remarks	- with NAMUR-interface - incl. mounting-set - AK 7 according to DIN V 19251 incl. TÜV-Certificate



Type	CP 0632 CPU oH		
Orifice	Solenoid size	Manual control	
6	11 1.8W	none	
Function	Drawn solenoid	Weight without solenoid	
NC	52, 53	0,55 kg	

- Probability to failure of the safety function on demand PFD 2×10^{-7} at a confidence interval of 95%.
- The Safe Failure Fraction (SFF) according to table A1, IEC 61508-2 is greater or equal to 0,99.

The valves are therefore suitable to be used in safety related systems with a Hardware Fault Tolerance of 1 or 2 up to and including SIL 4.



ND [mm]	Kv-value [m3/h]		Main pressure [bar] Port 1	Pilot pressure [bar] Port 12	Remark
	Inlet	Exhaust			
6	0.5	0.65	1 ... 8	-	1)
			0 ... 8	min. 2	2)

Connection
 1 = Inlet
 2 = Consumer
 3 = Exhaust
 12 = Inlet of control fluid

- 1) For open / close valves
- 2) For control valves

Layout

3D ID: 145.410.00

Selection sheet	4-126.061.00	Release	04	Drawn	13.08.2002	prm - Presente
Drawing class	G-TÜV	Modification-No.	4142	Proved	13.08.2002	ror - Röllli
Scale	1:2	Modified	12.01.2004	Site	Drawing-/Part-No.	
Sheet	1	Data care	13.08.2002	4	127.476.02	
						Language en

Subject to dimensional or design modification

Copyright on this drawing remains in our company

a4sm-venill-rmb-en