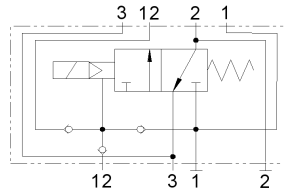


3/2-way solenoid valve

Pilot operated with optional pilot source (internal or external)

Group **CP06**

Symbol



Type

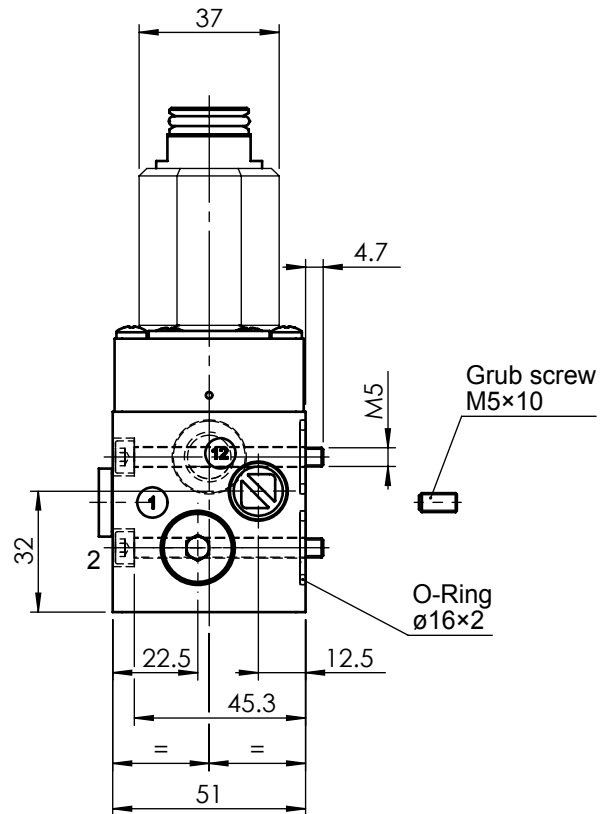
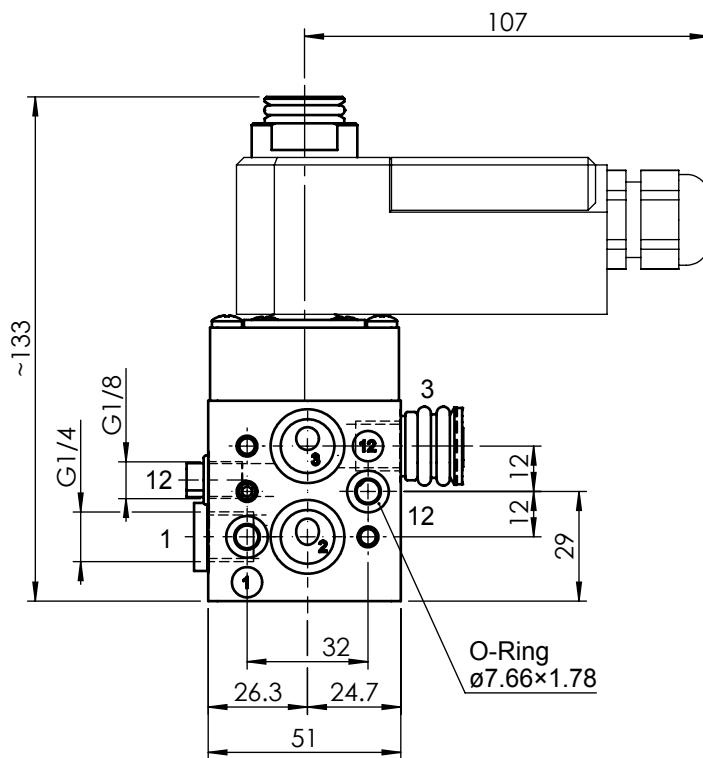
CP 0632 CPU oH i

Remarks
- with NAMUR-interface
- incl. mounting-set
- AK 7 according to DIN V 19251
incl. TÜV-Certificate up to SIL 4
according to IEC 61508

DN 6	Solenoid size 11 200 mW	Manual control none
Function NC	Drawn solenoid 52	Weight without solenoid 0.55 kg

- Probability to failure of the safety function on demand PFD 2×10^{-7} at a confidence interval of 95%.
- The Safe Failure Fraction (SFF) according to table A1, IEC 61508-2 is greater or equal to 0,99.

The valves are therefore suitable to be used in safety related systems with a Hardware Fault Tolerance of 1 or 2 up to and including SIL 4.



ND [mm]	Kv-value [m3/h]		Main pressure [bar] Port 1	Pilot pressure [bar] Port 12	Remark
	Inlet	Exhaust			
6	0.5	0.65	1 ... 8	-	1)
			0 ... 8	min. 2	2)

Connection

- 1 = Inlet
- 2 = Consumer
- 3 = Exhaust
- 12 = Inlet of control fluid

- 1) For open / close valves
- 2) For control valves

Layout

3D ID: 147.092.00

Selection sheet		4-126.061.00		Release	05		Drawn	13.08.2002	prm - Presente		
Drawing class		G-TÜV		Modification-No.	5930		Proved	13.08.2002	ror - Röllli		
Scale	1:2			Modified	17.09.2012	hep - Hediger		Size	Drawing-/Part-No.		
Sheet	1	of	1	Administration	13.08.2002	fir - Fischer		4		147.093.02	
										Language	en

Subject to dimensional or design modification

Copyright on this drawing remains in our company

o4sm-ventill-mb-en