

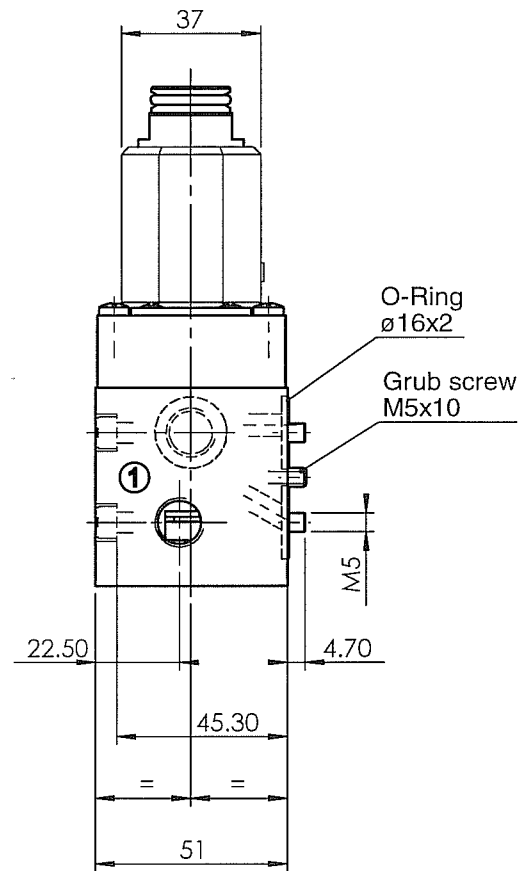
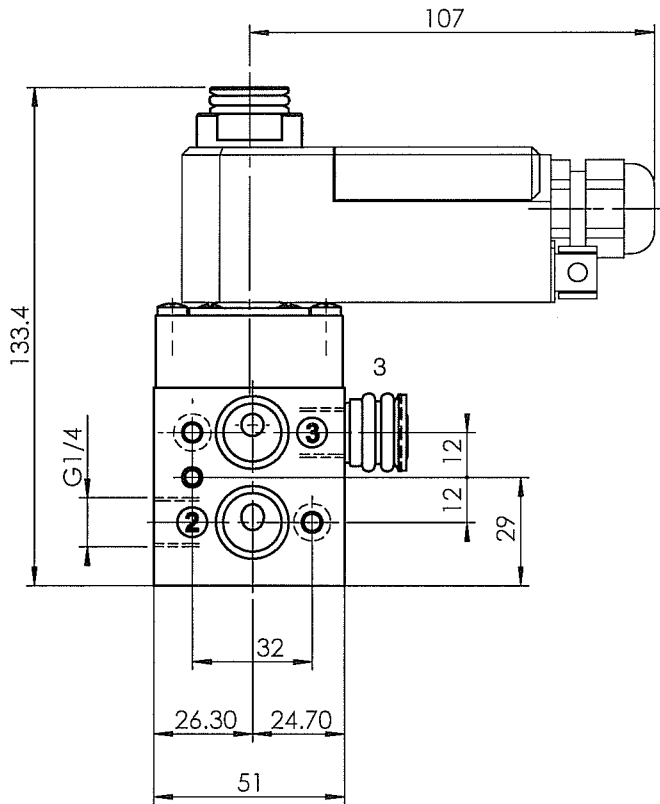
3/2-way solenoid valve

Pilot operated with own fluid

Group	CP 06	Symbol			
Remarks	- with NAMUR-interface - incl. mounting-set - Solenoid can be rotated though 360° - with TÜV-certificate up to SIL 4 according IEC 61508		Type	CP 0632 CSX oH	
	Orifice	Solenoid size	Manual control		
	6	11 1.8W	none		
	Function	Drawn solenoid	Weight without solenoid		
	NC	52, 53	0.55kg		

- Probability to failure of the safety function on demand PFD <math> < 2 \times 10^{-7}</math> at a confidence interval of 95%.
- The Safe Failure Fraction (SFF) according to table A1, IEC 61508-2 is greater or equal to 0,99.

The valves are therefore suitable to be used in safety related systems with a Hardware Fault Tolerance of 1 or 2 up to and including SIL 4.



Connection:
 1 = Inlet
 2 = Consumer
 3 = Outlet

ND [mm]	Kv-value [m ³ /h]		pressure gas [bar]
	Inlet	Exhaust	
6	0.5	0.8	1 ... 8

Layout

3D ID: 159.362.00

Selection sheet	4-128.568.00	Release	00	Drawn	09.01.2004	prm - Presente
Drawing class		Modification-No.		Proved	09.01.2004	ror - Rölli
Scale	1:2	Modified	09.01.2004	prm - Presente		
Sheet	1	Data care	09.01.2004	fir - Fischer	4	159.363.02
						en

Subject to dimensional or design modification

Copyright on this drawing remains in our company

c4sm-ventil-mb-en