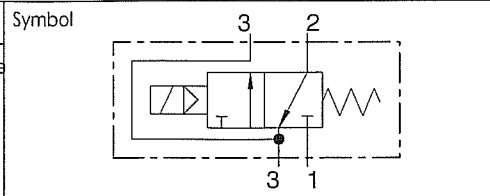


3/2-way solenoid valve

Pilot operated with own fluid

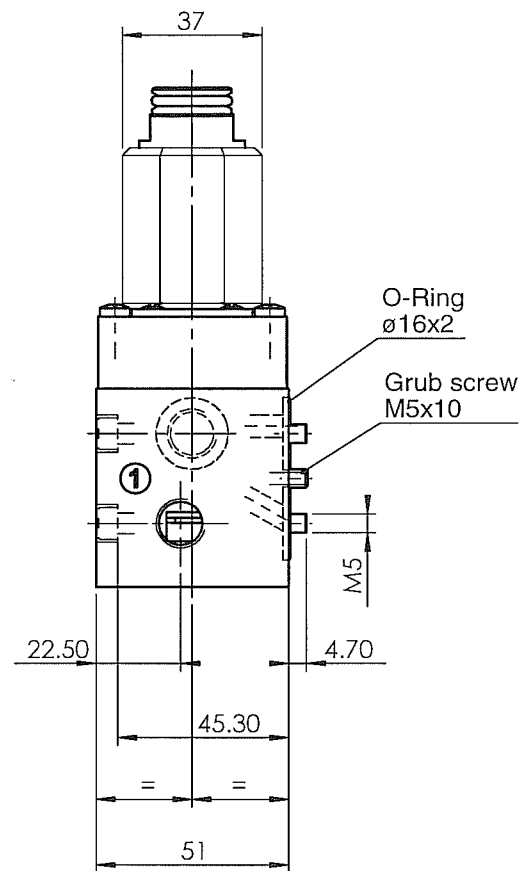
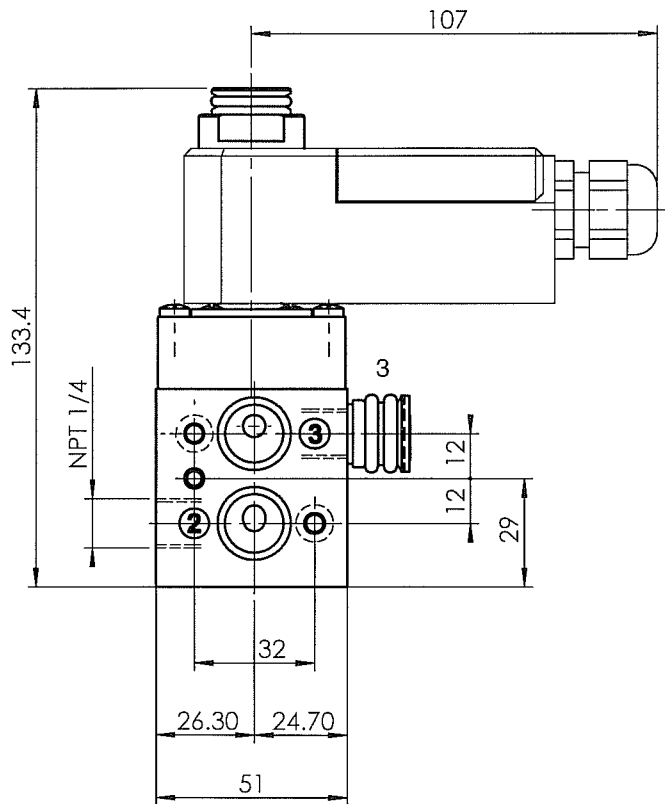
Group CP 06
Remarks - with NAMUR-interface
- incl. mounting-set
- Solenoid can be rotated though 360°
- with TÜV-certificate up to SIL 4 according IEC 61508



Type CP 0632 CSX oH i		
Orifice 6	Solenoid size 11 200mW	Manual control none
Function NC	Drawn solenoid 52	Weight without solenoid 0.55kg

- Probability to failure of the safety function on demand PFD < 2 x 10⁻⁷ at a confidence interval of 95%.
- The Safe Failure Fraction (SFF) according to table A1, IEC 61508-2 is greater or equal to 0,99.

The valves are therefore suitable to be used in safety related systems with a Hardware Fault Tolerance of 1 or 2 up to and including SIL 4.



Connection:
1 = Inlet
2 = Consumer
3 = Outlet

ND [mm]	Kv-value [m ³ /h]		pressure gas [bar]
	Inlet	Exhaust	
6	0.5	0.8	1 ... 8

Layout

3D ID: 159.357.00

Selection sheet		4-128.568.00		Release		00		Drawn		09.01.2004		prm - Presente	
Drawing class				Modification-No.				Proved		09.01.2004		ror - Rölli	
Scale		1:2		Modified		09.01.2004		prm - Presente		Size		Drawing-/Part-No.	
Sheet		1		Data care		09.01.2004		fir - Fischer		4		159.358.02	
		from		1								Language	
												en	

Subject to dimensional or design modification

Copyright on this drawing remains in our company

e4sm-ventil-mb-en