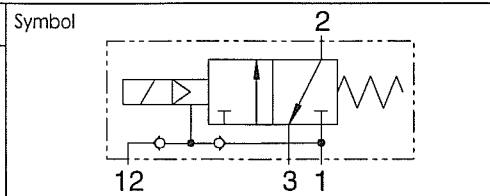


3/2-way solenoid valve

Pilot operated with internal
 or external control air supply

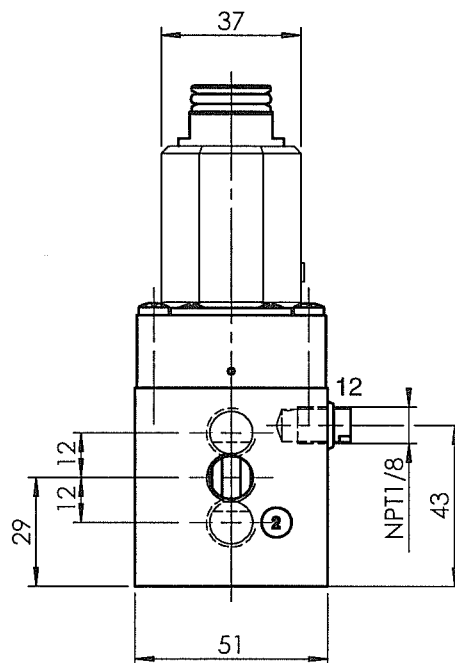
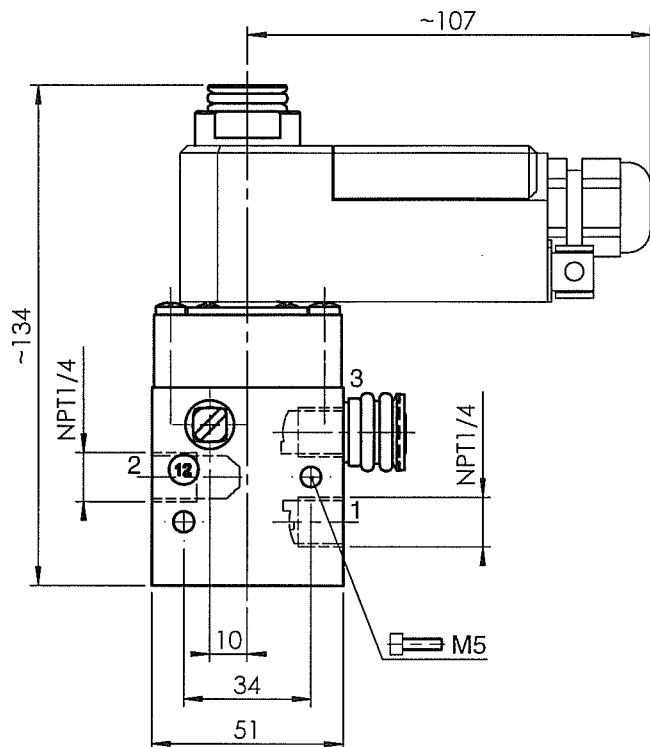
Group CP 06
 Remarks
 Solenoid 360° turnable
 With TÜV-certificate up to
 SIL 4 according to
 IEC 61508



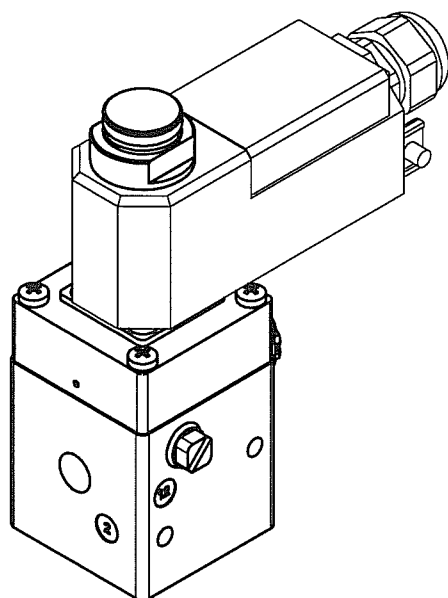
Type			CP 0632 CTK oH		
Orifice	Solenoid size		Manual control		
6	11	1,8W	none		
Function	Drawn solenoid		Weight without solenoid		
NC	52, 53		0.55 kg		

- Probability to failure of the safety function on demand PFD 2×10^{-7} at a confidence interval of 95%.
- The Safe Failure Fraction (SFF) according to table A1, IEC 61508-2 is greater or equal to 0,99.

The valves are therefore suitable to be used in safety related systems with a Hardware Fault Tolerance of 1 or 2 up to and including SIL 4.



Subject to dimensional or design modification



Connections:

- 1 = Inlet
- 2 = Consumer
- 3 = Exhaust
- 12 = Inlet of control fluid

ND [mm]	Kv-value [m³/h]		Main pressure [bar] Port 1	Pilot pressure [bar] Port 12	Rem.
	Inlet	Exhaust			
6	0,72	1,4	1 ... 8	-	1)
			0 ... 8	min. 2	2)

1) For open / close valves
 2) For control valves

Layout

3D ID: 157.418.00

Selection sheet		4-128 558 00		Release		00		Drawn		07.11.2003		hep - Hediger	
Drawing class				Modification-No.				Proved		07.11.2003		ror - Rölli <i>26</i>	
Scale	1:2			Modified	12.11.2003	hep - Hediger		Size	Drawing-/Part-No.			Language	
Sheet		from	1	Administration	07.11.2003	fir - Fischer <i>P</i>		4	157.419.02			en	

Copyright on this drawing remains in our company

o4am-ventil-mb-en