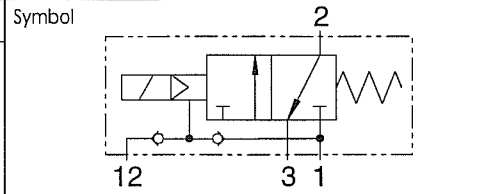


3/2-way solenoid valve

Pilot operated with internal
or external control air supply

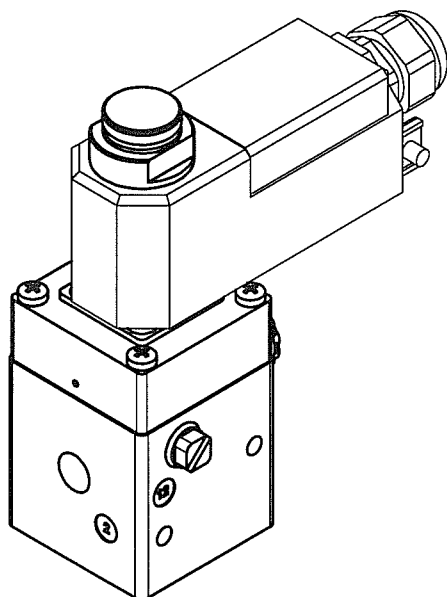
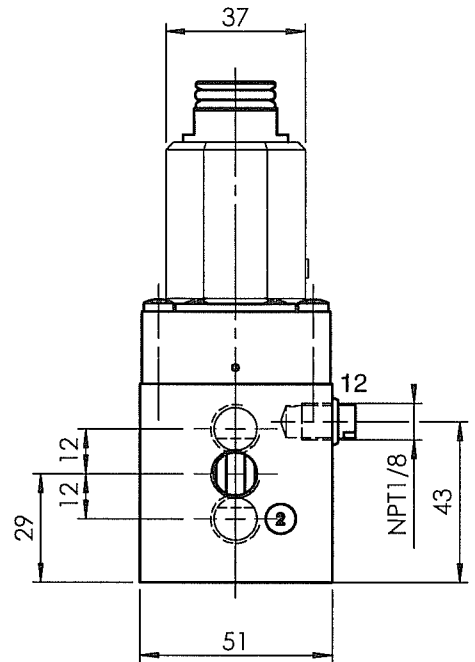
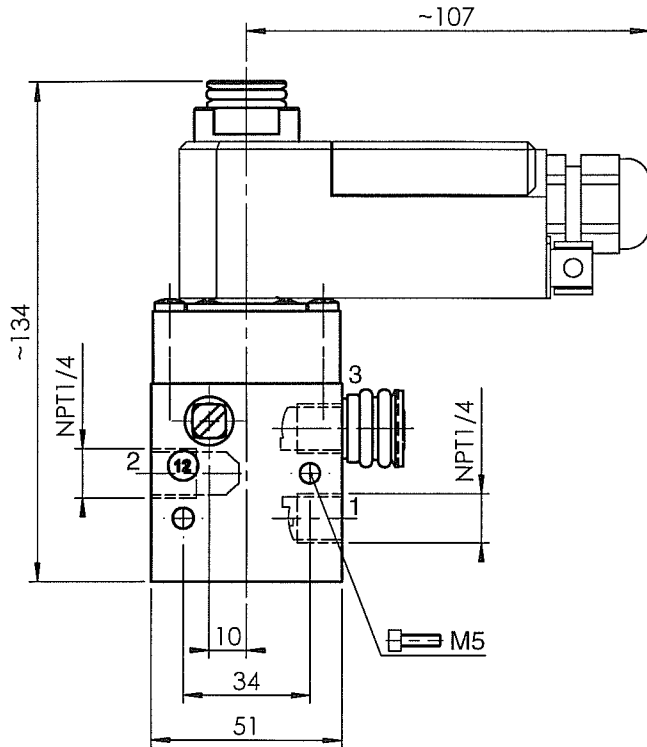
Group CP 06
Remarks
Solenoid 360° turnable
With TÜV-certificate up to
SIL 4 according to
IEC 61508



Type			CP 0632 CTK oH i		
Orifice	Solenoid size		Manual control		
6	11	200mW	none		
Function	Drawn solenoid		Weight without solenoid		
NC	52		0.55 kg		

- Probability to failure of the safety function on demand PFD 2×10^{-7} at a confidence interval of 95%.
- The Safe Failure Fraction (SFF) according to table A1, IEC 61508-2 is greater or equal to 0,99.

The valves are therefore suitable to be used in safety related systems with a Hardware Fault Tolerance of 1 or 2 up to and including SIL 4.



Connections:

- 1 = Inlet
- 2 = Consumer
- 3 = Exhaust
- 12 = Inlet of control fluid

ND [mm]	Kv-value [m³/h]		Main pressure [bar] Port 1	Pilot pressure [bar] Port 12	Rem.
	Inlet	Exhaust			
6	0,72	1,4	1 ... 8	-	1)
			0 ... 8	min. 2	2)

- 1) For open / close valves
- 2) For control valves

Layout

3D ID: 157.583.00

Selection sheet		4-128 558 00		Release		00		Drawn		07.11.2003		hep - Hediger	
Drawing class				Modification-No.				Proved		07.11.2003		ror - Rölli	
Scale	1:2				Modified	12.11.2003	hep - Hediger		Size	Drawing-/Part-No.			Language
Sheet	from		1		Administration	07.11.2003	fir - Fischer		4	157.579.02			en

Subject to dimensional or design modification

Copyright on this drawing remains in our company

e4sm-ventil-mb-en