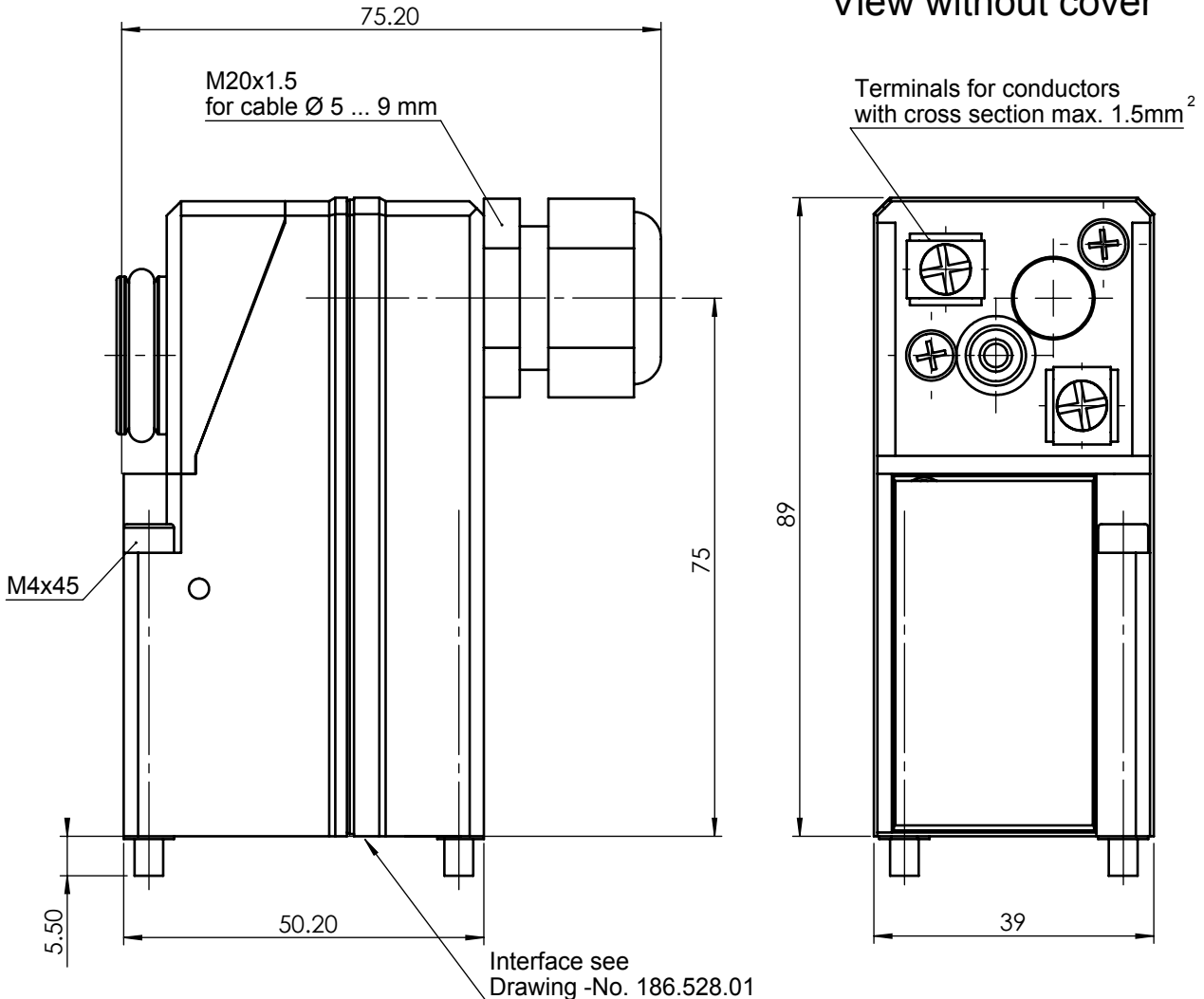


3/2-way pilot valve

Pilot operated

Pneumatic symbol 	PG	DW PV		Type		
	Function	3/2 NC	ND	KV	Pressure	Manual control
	Medium	Dry, filtered compressed air		2 mm	0.06 m ³ /h	0.2 ... 0.8 MPa
Circuit diagram 	Ambient and media temperature			Minimum values for function		
	-40 °C ... +80 °C / +50 °C			14 V / 2.2 mA / 30 mW		
	Degree of protection according to EN 60 529			Maximum values for "intrinsic safety"		
IP65			U _i = 40 V / I _i = 200 mA / P _i = 750 mW			
Remark - 2 G EEx ia IIC T6 für -40 °C ... +50 °C - 2 G EEx ia IIC T5 für -40 °C ... +80 °C - PTB 99 ATEX 2146						

View without cover



Datasheet

3D ID: 140.201.00

Selection sheet	4-127.677.00		Release	04		Drawn	15.01.2002	prm - Presente
Drawing class	G-Ex		Modification-No.	OHNE		Proved	16.01.2002	rej - Reimann
Scale	1:1		Modified	27.09.2007	stl - Staub	Size	Drawing - /Part-No.	
Sheet	1	from 1	Data care	16.01.2002	fir - Fischer	4		127.423.02
							Language	en

Mas- und Konstruktionsänderung vorbehalten

Das Urheberrecht an dieser Zeichnung verbleibt unserer Firma

eafm-ventil-mb-de