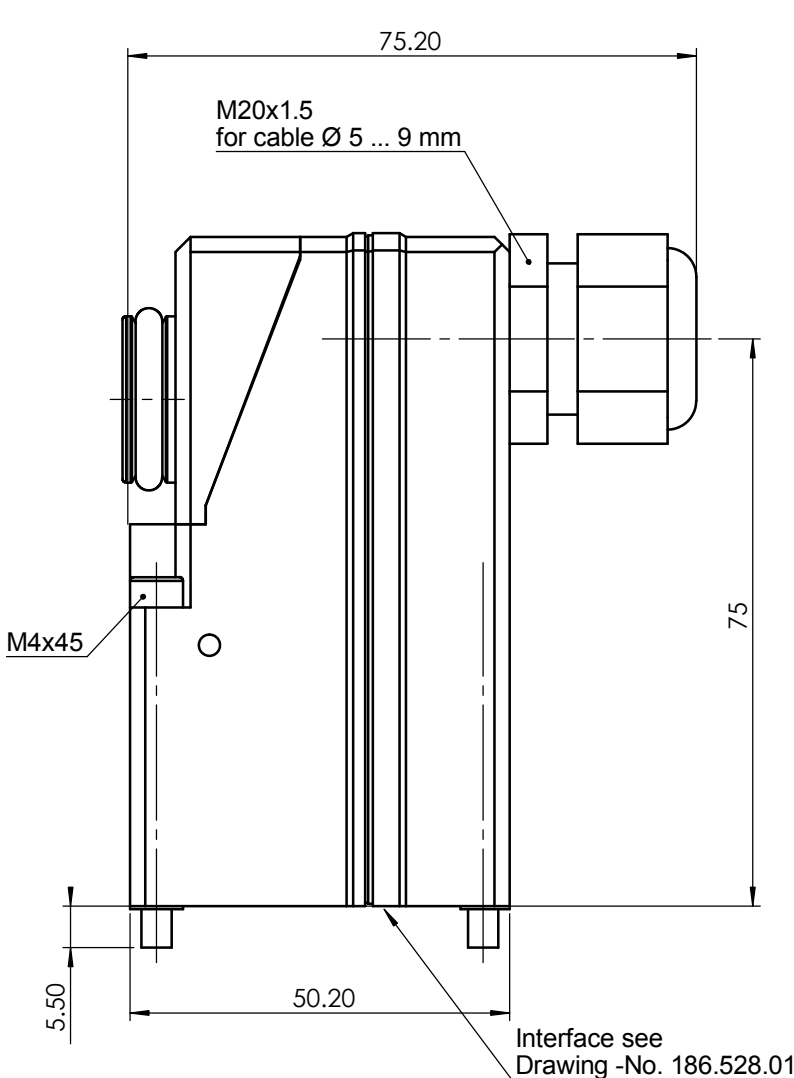


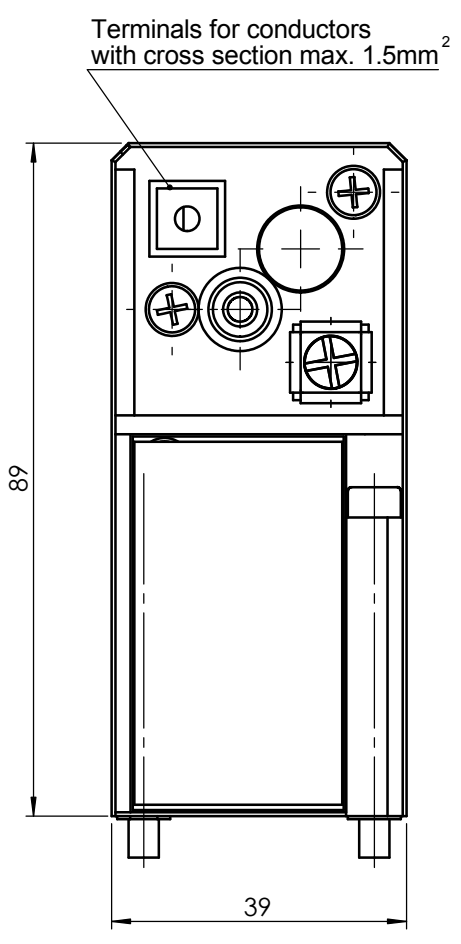
3/2-way pilot valve

Pilot operated

Pneumatic symbol 	PG	Type				PV 12F73 Xi oH 2
		DW PV	ND	KV	Pressure	
	Function	3/2 NC	2 mm	0.06 m ³ /h	2 ... 8 bar	none
	Medium	Dry, filtered compressed air		Air consumption		Weight
				<0.3 Nm ³ /h		0.22 kg
Circuit diagram 	Ambient and media temperature		Minimum values for function			
	-40 °C ... +80 °C / +60 °C		7 V / 4.3 mA / 30 mW			
Degree of protection according to EN 60 529		IP65		Maximum values for "intrinsic safety"		
				U _i = 40 V / I _i = 200 mA / P _i = 850 mW		
Remark - 2 G EEx ia IIC T6 für -40 °C ... +60 °C - 2 G EEx ia IIC T5 für -40 °C ... +80 °C - PTB 00 ATEX 2030						



View without cover



Mass- und Konstruktionsänderung vorbehalten

Das Urheberrecht an dieser Zeichnung verbleibt unserer Firma

Datasheet

3D ID: 142.070.00

Selection sheet	4-127.677.00	Release	01	Drawn	12.08.2002	prm - Presente
Drawing class	G-Ex	Modification-No.	4931	Proved	12.08.2002	rej - Reimann
Scale	1:1	Modified	11.12.2006	Size	Drawing - /Part-No.	
Sheet	1	Data core	12.08.2002	Language	en	
				4	128.313.02	

eas-ventil-mb.de