

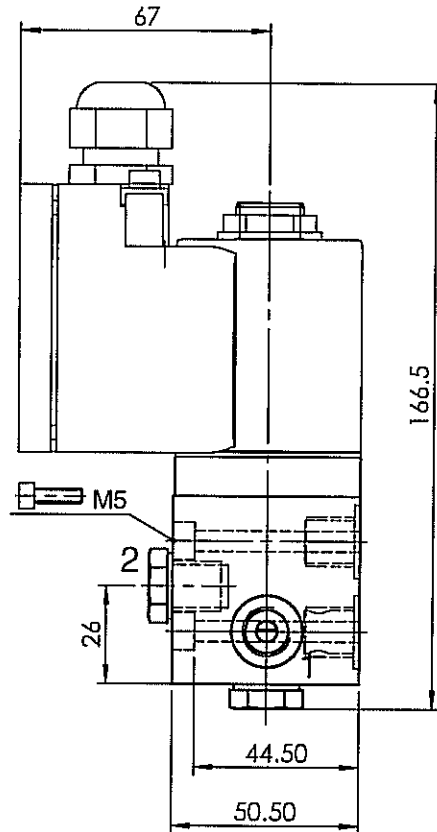
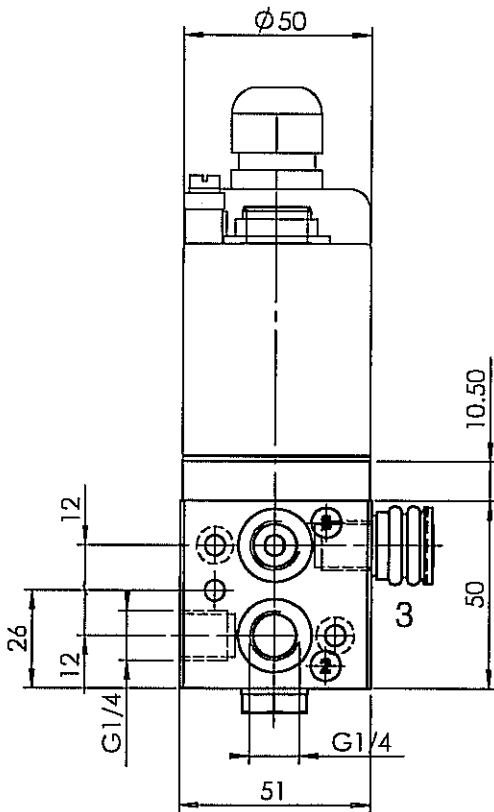
# 3/2-way solenoid valve

Direct acting

Group	DW UV	Symbol			
Remarks	- with NAMUR interface - incl. mounting-set - with TÜV-certificate up to SIL 4 according to IEC 61508		Type	<b>UV 0532 UND</b>	
	Orifice	Solenoid size	Manual control		
	5	2 (3.5W)	retrofitable		
	Function	Drawn solenoid	Weight without solenoid		
	NC	50 ... 55	0.52 kg		

- Probability to failure of the safety function on demand PFD <math>2 \times 10^{-7}</math> at a confidence interval of 95%.
- The Safe Failure Fraction (SFF) according to table A1, IEC 61508-2 is greater or equal to 0,99.

The valves are therefore suitable to be used in safety related systems with a Hardware Fault Tolerance of 1 or 2 up to and including SIL 4.



ND [mm]	Kv [l/min]	pressure gas Liquids [bar]
5	6	0 ... 10

### Connection

- NAMUR interface, with exhaust-air recirculation to spring chamber for rotary actuators with a spring return
- G 1/4 ports with optional flow direction and for universal function

## Layout

3D ID: 177.967.00

Selection sheet	4-124.934.00	Release	00	Drawn	07.02.2006	prm - Presente
Drawing class	G-TÜV	Modification-No.		Proved	07.02.2006	ror - Rölli <i>al</i>
Scale	1:2	Modified	07.02.2006	prm - Presente	Size	Drawing-/Part-No.
Sheet	1	Administration	07.02.2006	fir - Fischer <i>P</i>	4	127.470.02
	from	1				Language
						en

Subject to dimensional or design modification

Copyright on this drawing remains in our company

448-ventil-mb-en