

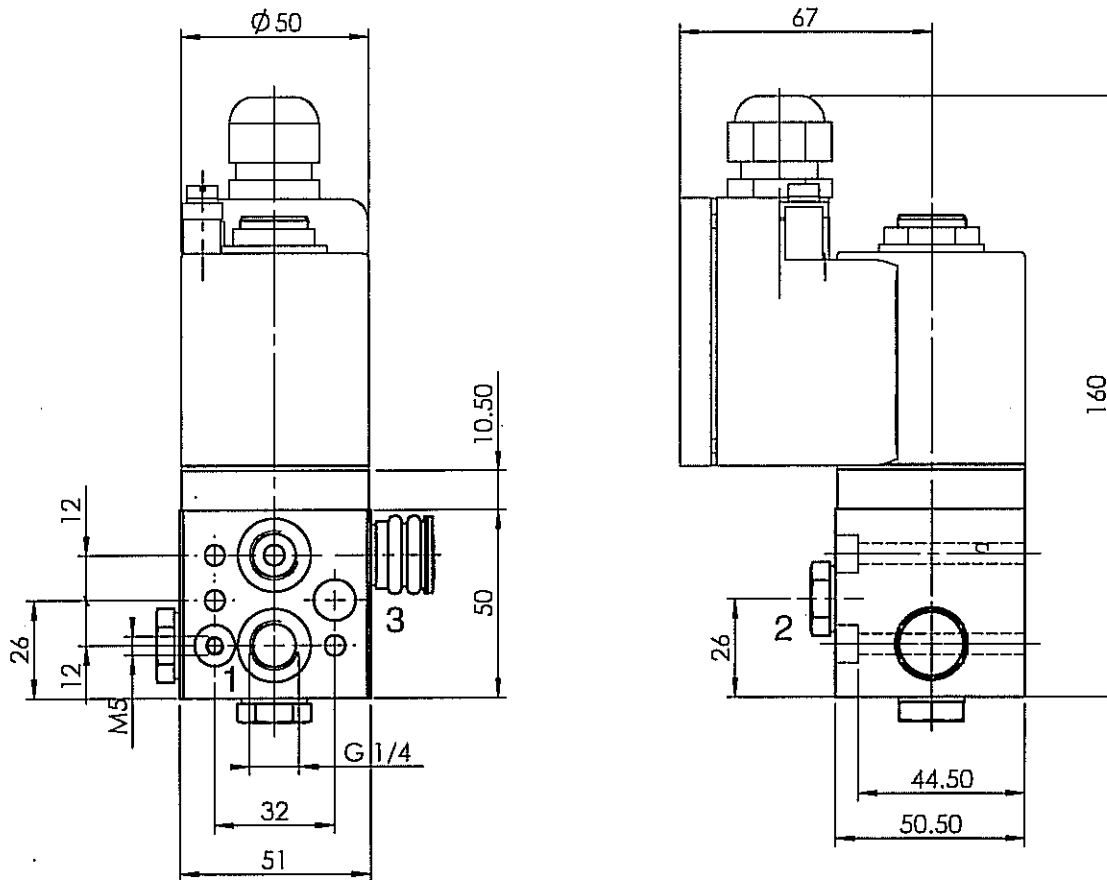
3/2-way solenoid valve

Direct acting

Group	DW UV	Symbol	Type		
Remarks			UV 0532 UPD		
- With extended NAMUR interface - Incl. mounting set - with TÜV-certificate up to SIL 4 according to IEC 61508			Orifice	Solenoid size	Manual control
			5	2 3.5W	retrofitable
			Function	Drawn solenoid	Weight without solenoid
			NC	50 ... 55	0.52 kg

- Probability to failure of the safety function on demand PFD 2×10^{-7} at a confidence interval of 95%.
- The Safe Failure Fraction (SFF) according to table A1, IEC 61508-2 is greater or equal to 0,99.

The valves are therefore suitable to be used in safety related systems with a Hardware Fault Tolerance of 1 or 2 up to and including SIL 4.



Connention:

- NAMUR interface, with exhaust-air recirculation to spring chamber for quarter turn actuators with spring return.
- BSP 1/4 ports with optional flow direction and for universal function.
- Additional port for pressure in NAMUR flange, for direct mounting on positioning devices.

ND [mm]	Kv [m³/h]	Pressure gas [bar]
5	6	0 ... 10

Layout

3D ID: 157.305.00

Selection sheet	4-124.928.00	Release	01	Drawn	29.10.2003	prm - Presente
Drawing class	G-TÜV	Modification-No.	OHNE	Proved	29.10.2003	rar - Rölli
Scale	1:2	Modified	07.02.2006	Size	Drawing/Part-No.	
Sheet	1 from 1	Administrallon	29.10.2003	4	127.473.02	Language
						en

Subject to dimensional or design modification

Copyright on this drawing remains in our company

c4sm-ventil-mb-en