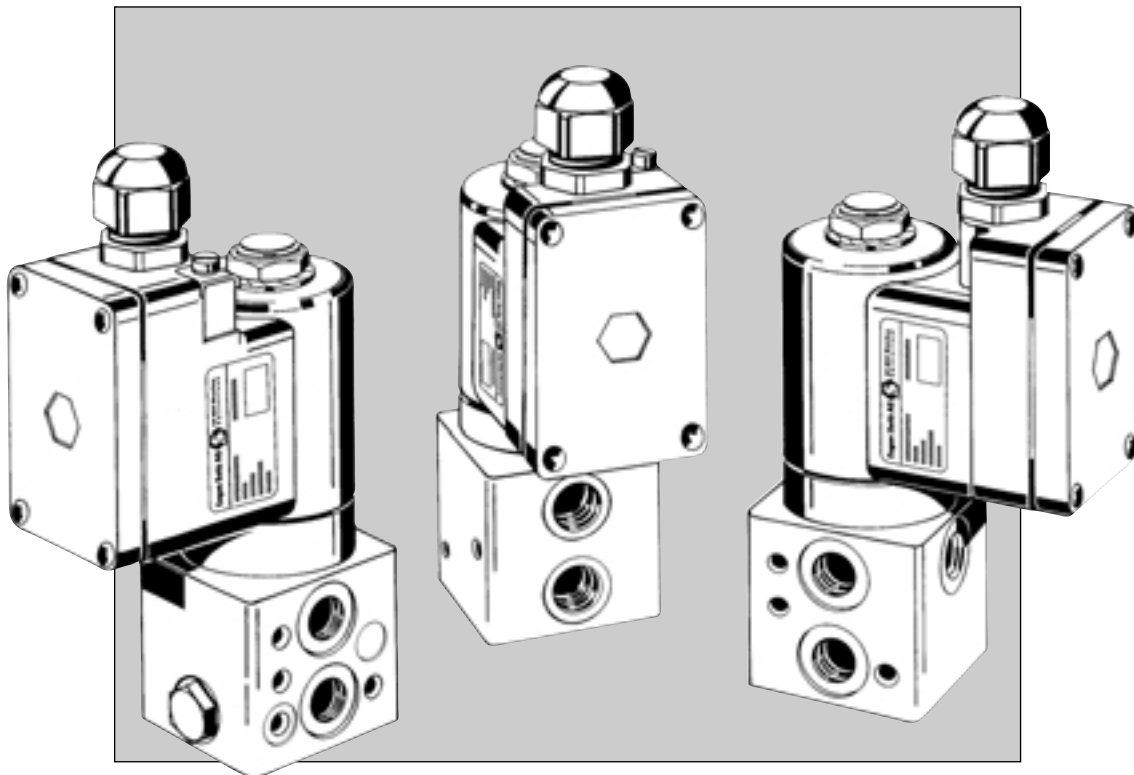


Direct acting solenoid valves

- **3/2 way universal solenoid valves**
- **For air and inert gases**
- **Orifice size 5 mm**
- **Pressure range 0 ... 10 bar**
- **With TÜV approval up to AK-7 / SIL 4**



The valve group UV 05

The "Univalve" UV 05 group belongs to the series of direct acting solenoid valves. Depending on the function required, the three ports may be used as pressure or vacuum ports, irrespective of the operating pressure.

Application

Solenoid valves of the UV 05 group may be used for regulating control fittings, diaphragm drives, rotary actuators, flaps and cylinders. The NAMUR flange fitting means that they are particularly suitable for regulating rotary actuators with spring return mechanism. Integrated spring ventilation protects against contaminated ambient air. Typical areas of application include chemical and petrochemical plants as well as engine and compressor construction.

Standard models

Type

direct acting solenoid valve featuring poppet valve technology

Function

universal, pressure connections optional to desired function and application

Manual override

on request

Pressure range

0... 10 bar

Vacuum range

1...1013 mbar (coarse vacuum)

Media

- dry or lubricated air
- inert gases

Temperatures

- medium: -25 ... +60 °C
- ambient: -25 ... +60 °C

Materials

- housing: aluminium ematal coated
- internal parts: stainless steel
- seals: nitrile rubber (NBR)

Mounting position

optional

Switching times

on: 40 ms, off: 60 ms

Mounting options

- pipe installation
- flange installation
- NAMUR flange fitting for rotary actuators
- NAMUR flange fitting with additional pressure port for piston/diaphragm drives

Further models

Other materials may be used on request or to meet particular requirements:

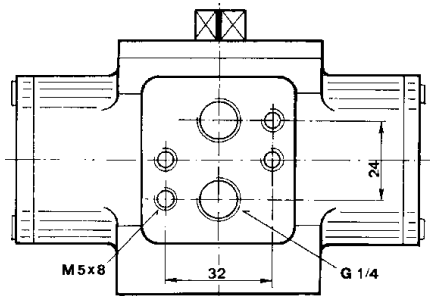
Seals

FPM, EPDM etc.

NAMUR flange fitting

The NAMUR flange fitting enables solenoid valves to be screwed directly onto actuators, without additional pipework and intermediate flanges. Time-consuming installation becomes a thing of the past.

If desired, installation can be for both effective directions. A polarizing pin ensures that the basic setting cannot be changed by simply turning the solenoid valve.



Expanded NAMUR flange fitting

The solenoid valve type UV 0532 UPD, featuring the expanded NAMUR flange fitting, is designed for mounting directly on diaphragm drives with a matching flange profile. The actuating signal for actuator is transmitted via the pressure port on the NAMUR flange surface of the solenoid valve. By removing the plug on port 1, the solenoid valve can also be used on rotary actuators with a NAMUR port.

NAMUR flange plate

For mounting type UV 0532 UND or UV 0532 UPD valves onto diaphragm drives, the NAMUR flange plate is available as an accessory for direct attachment to the NAMUR rib.

Order no. 124 579 00

Manual override

As an accessory, a spring return manual override is available, which acts directly on the valve seat.

Manual override is generally for use only e.g. during commissioning or inspections.

Order No. 124 550 00

EMATAL – Corrosion protection

The aluminium valves of Eugen Seitz AG are 'ematalised' as standard. Ematal is a surface treatment where valves receive a highly compact and hard, combined aluminium oxide and titanium oxide coating.

This results in long-lasting protection against corrosion and mechanical stress.

Type overview

orifice size	ports	solenoid size	weight [g]	pressure [bar]	kv-value [l/min] [m³/h]	valve type	figure no.	function symbol no.
5	BSP 1/4	2	560	0 ... 10 and vacuum	6 0.36	UV 0532 UGD 3)	1	1
	NPT 1/4	2	560		6 0.36	UV 0532 UTD 3)	1	1
	NAMUR and BSP 1/4	2	560		6 0.36	UV 0532 UND 1) 2) 3)	2	2
	NAMUR and BSP 1/4 with pressure port	2	560		6 0.36	UV 0532 UPD 1) 2) 3)	3	3
	flange	2	560		6 0.36	UV 0532 UFD 3)	4	1

1) With TÜV-approval for control valves according to DIN EN 161, DIN 3394 part 1 and 2

2) Version with TÜV-approval up to AK-7 according to DIN V 19251 available

3) Version with TÜV-approval up to SIL 4 according IEC 61 508 available.

Detailed overview of solenoid valves with TÜV-approval in separate folder.

Dimensional drawing

Figure 1 BSP 1/4 or NPT 1/4

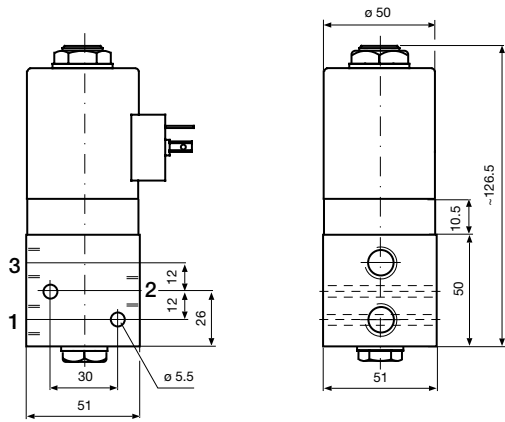


Figure 2 NAMUR and BSP 1/4

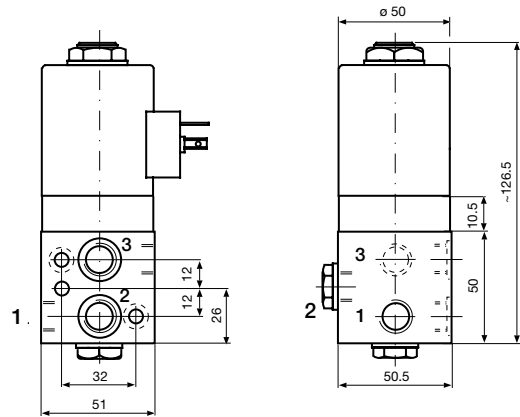


Figure 3 NAMUR with pressure port and BSP 1/4

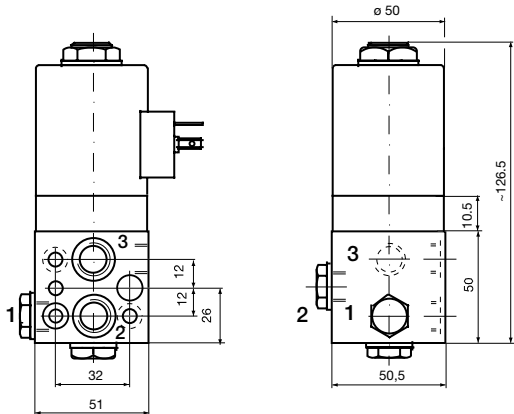
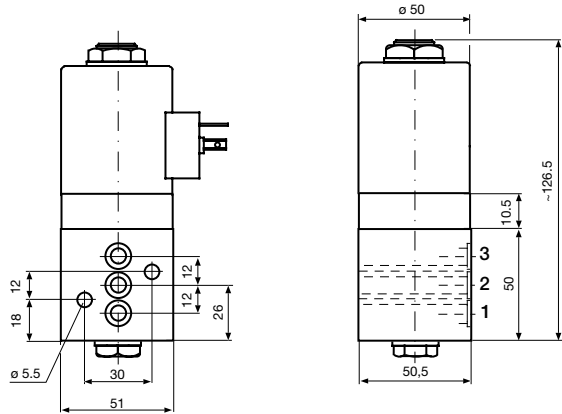


Figure 4 flange

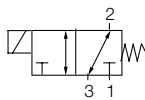


- the solenoid valves are illustrated with type 27 solenoids
- the solenoid can be rotated through 360°
- for connecting ports see type overview

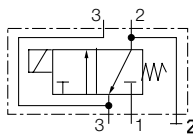
Connection chart

Function symbols

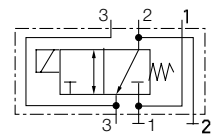
1. universal



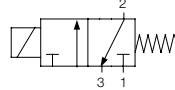
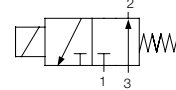
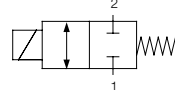
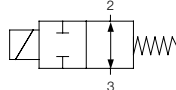
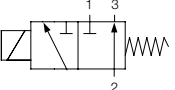
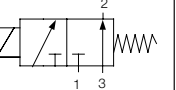
2. NAMUR



3. NAMUR with additional pressure port



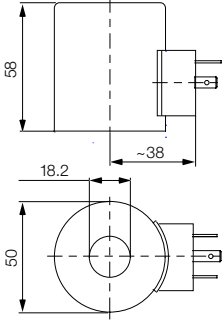
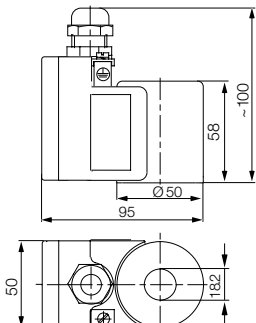
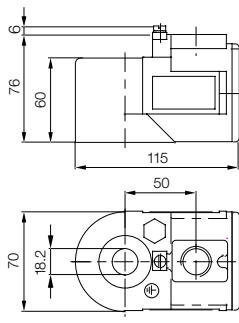








Depending on the desired application and function, connections must be assigned as follows:

function	3/2 NC			3/2 NO			2/2 NC			2/2 NO			diverter			mixer		
																		
ports	1	2	3	1	2	3	1	2	3	1	2	3	1	2	3	1	2	3
	I	PC	O	O	PC	I	PC	I	C	C	I	PC	PC	I	PC	I	PC	I
							I	PC	C	C	PC	I						

I = Inflow, O = Outflow, PC = Process Control, C = Close



Technical data of solenoids

Solenoids	With standard protection	For hazardous areas				
Drawing						
Solenoid type	DC	2 A 37	2 A 52	2 A 53	2 A 65 / 2 E 65	2 A 67 / 2 E 67
	AC	2 C 37	-	-	2 C 65	2 C 67
	AC/DC	-	2 F 52	2 F 53	2 F 65	2 F 67
Built in fuse	no	no	yes	no		
Rated voltage (others on demand)	24 V, 110 V, 230 V	24 V, 60 V, 230 V	24 V	24 V, 110 V, 230 V		
Operating time	100 %	100 %		100 %		
Ambient temperature	-20 ... +60 °C	-20 ... +50 °C, 60 °C		(-50) -20 ... +90 °C		
Ex-protection	-	Ex II 2 G EEx em II T6, T5 Ex II 2 D IP65 T80 °C, T95 °C		Ex II 2 G EEx d IIC T6 ... T4		
Degree of protection	IP 65	IP 65		IP 65		
Rated power	DC 3.5 W AC 5 VA	DC 3.5 W AC 3 VA		DC 2.5 W AC 3.5 VA		
Connection	Plug-in connector according DIN 43650 form A. Connector with Pg11-gland. Available with/without socket.	Cable terminal box or cable. Cable entry with M 20 x 1.5 gland. Solenoid available with/without a built-in fuse.		Cable terminal box. Cable inlet thread NPT 1/2	Cable terminal box. Cable inlet thread M 20 x 1.5	
Certificate		  		    GOST		
Weight	~530 g	~580 g		~1700 g		

Detailed information about the entire range of solenoids is given in a separate brochure.

How to order
